

# Katalog



**Ersatzteile für  
LPG-Systeme**

## INDEX Deutsch

• AISAN	
Typ S .....	11
Typ SS .....	12
Typ SC .....	13
Typ C .....	14
Vergaser .....	17
Ersatzteile .....	19
• ALGAS .....	21
• BEAM .....	22
• CENTURY .....	23
• E-CONTROLS .....	25
• IMPCO	
Sortiment von IMPCO .....	28
Verdampfer und Reparatursätze .....	33
Vergaser CA50 - CA55 .....	36
Vergaser CA100 .....	43
Vergaser CA125 .....	47
• LPG-SATZ mit IMPCO Vergaser & Verdampfer .....	52
• UNIVERSALSÄTZE .....	65
• J & S .....	66
• LANDI HARTOG .....	68
• LANDI RENZO .....	69
• LOVATO .....	70
• NIKKI .....	71
• TELEFLEX-GFI .....	79
• WOODWARD .....	81
• ZENITH - BENDIX .....	82
• LPG ABSPERRVENTIL + FILTER .....	84
• LPG FILTER .....	86
• LPG ABSPERRVENTIL .....	89
• KRAFTSTOFF ABSPERRVENTIL .....	91
• REGLER .....	92
• LPG-BEDIENUNG .....	98
• ELEKTRISCHE MAGNETISCHE DROSSEL .....	101
• HALTER .....	102
• LPG-TANKS .....	106
• TANKZUBEHÖR .....	108
• SCHLÄUCHE UND KUPPLUNGEN .....	118
• SONSTIGES .....	124
• GEWINDEGRÖSSEN .....	132

## AISAN - Model S



REF [107TA9081](#) Repair kit Model S



REF [136TA3042](#) Valve kit Model S



REF [105TA4826](#) Model S



REF [107TA9078](#) Model S

AISAN - Model SS



REF [107TA9083](#) Repair kit Model SS



REF [136TA3043](#) Valve kit Model SS



REF [136TA3044](#) Valve kit Model SS



REF [107TA9359](#) Solenoid Model SS



REF [136TA3045](#) Model SS



REF [107TA9084](#) Model SS

## AISAN - Model SC



REF [136TA3046](#) Repair kit Model SC



REF [136TA3064](#) Valve kit Model SC



REF [107TA9359](#) Solenoid Model SC



REF [136TA3047](#) Vaporizer Model SC



REF [136TA3048](#) Vaporizer Model SC



REF [143TA7721](#) Complete repair kit Model SC



REF [143TA7722](#) Valve kit Model SC



REF [143TA7723](#) Diaphragm + O ring kit

AISAN - Model C



REF [107TA9361](#) Repair kit Model C



REF [141TA2245](#) Complete repair kit Model C



REF [136TA3049](#) Valve kit Model C



REF [136TA3050](#) Shut-off valve Model C



REF [107TA9359](#) Solenoid Model C



REF [107TA9362](#) Filter kit Model C



REF [136TA3051](#) Valve Model C

## AISAN - Model C



REF [136TA3052](#) Vaporizer Model C - open loop



REF [136TA3053](#) Vaporizer Model C - open loop



REF [107TA9384](#) Vaporizer Model C - open loop



REF [136TA3054](#) Vaporizer Model C - open loop



REF [136TA3055](#) Vaporizer Model C - closed loop



REF [136TA3057](#) Vaporizer Model C - closed loop



REF [136TA3058](#) Vaporizer Model C - closed loop



REF [136TA3056](#) Vaporizer Model C - closed loop

AISAN



REF [106TA6815](#)

Vaporizer used for 4P, 5P, 5R TOYOTA engine



REF [106TA2930](#)

Repair kit for (REF [106TA6815](#))



REF [107TA9085](#)

Diaphragm for vaporizer (REF [106TA6815](#))



REF [107TA9086](#)

Diaphragm for vaporizer (REF [106TA6815](#))



REF [107TA9079](#)

Diaphragm 2ND from repair kit (REF [107TA9077](#))



## AISAN LPG CARBS



Carburettor from 04/80  
used for 5P TOYOTA engine  
60-3FG20-23-25

REF [107TA9093](#)



Carburettor used for MITSUBISHI  
with 4G33, 4G41,... engines

REF [107TA9092](#)



Carburettor used for 5R TOYOTA engine  
from 04/80 4FG20-23-25

REF [107TA9091](#)



Carburettor from 78/04 - 80/04  
used for 5R TOYOTA engine  
40-3FG20-FG23-25

REF [107TA9090](#)



Carburettor from 78/04 - 80/04  
used for 4P engine 3FG20-23-25

REF [107TA9089](#)



Adapter used for 5K and 4Y engine

REF [143TA7702](#)



Valve for (REF [143TA7702](#))

REF [143TA7703](#)



Carburettor LPG bore dia 40 mm  
Used for HYSTER and YALE  
with GM 3,0 L engine

REF [143TA7704](#)

## AISAN LPG CARBS



Carburettor LPG bore dia 36 mm  
Used for HYSTER and YALE  
with Mazda FE engine

REF [143TA7705](#)

Picture not  
yet available

Carburettor LPG used for HYSTER  
and YALE with Mazda F2 engine

REF [143TA7706](#)

## AISAN SPARE PARTS



**REF [136TA3199](#)** Carburettor used for MAZDA engines



**REF [143TA7889](#)** Diaphragm for (REF [136TA3199](#))



**REF [136TA3201](#)** Encoder used for MAZDA engines



**REF [136TA3202](#)** Sensor MAP used for MAZDA engines



**REF [136TA3203](#)** Governor used for MAZDA engines



Filter kit = REF [136TA3205](#)



**REF [136TA3204](#)** LPG filter used for MAZDA engines



**REF [136TA3200](#)** Injector LPG used for MAZDA engines



**REF [143TA7708](#)** Resonator used for MAZDA FE / F2 engines

## AISAN SPARE PARTS



REF [143TA7710](#)

Check Valve gray  
(used for GM 3,0 L; MAZDA FE /F2)



REF [143TA7709](#)

Check Valve brown  
(used for TOYOTA / HYSTER)



REF [143TA7698](#)

Adapter air intake  
used for CESAB and TOYOTA 8 serie  
with 4Y engine, throttle dia. 28 mm



REF [143TA7697](#)

Used for CESAB  
and TOYOTA 8 serie with 4Y engine



REF [143TA7699](#)

Adapter air intake  
used for TOYOTA 1FZ engine,  
throttle dia, 30 mm



REF [143TA7700](#)

Air / Fuel controller

## ALGAS



REF [106TA6816](#) Vaporizer ALGAS type C250A



REF [106TA2929](#) Repair kit for C250A



REF [107TA9095](#) Vacuum kit for C250A



REF [107TA9098](#) Diaphragm model 60



REF [107TA9099](#) Diaphragm for mixer model 80

BEAM



REF [107TA9102](#) Vaporizer 120



REF [107TA9101](#) Repair kit for BEAM 120



REF [106TA6817](#) Vaporizer model 60



REF [116TA6998](#) Repair kit for BEAM 60



REF [107TA9104](#) Minor repair kit for (REF [107TA9102](#))



REF [107TA9103](#) Vacuum switch



REF [107TA9357](#) Vacuum switch

## CENTURY



REF [107TA9115](#) Vaporizer 85 HP Model G



REF [107TA9116](#) Repair kit for Model G



REF [107TA9113](#) Vaporizer 135 HP Model H



REF [107TA9114](#) Repair kit for Model H



REF [107TA9111](#) Vaporizer 350 HP Model M



REF [107TA9112](#) Repair kit for Model M



REF [143TA7671](#) Repair kit

CENTURY

Element = REF [106TA2927](#)



REF [106TA2928](#) Filter



REF [106TA2927](#) Repair kit for (REF [106TA2928](#)) (REF [107TA9295](#))

Element = REF [106TA2927](#)



REF [107TA9295](#) Lock-off valve + filter 12 V



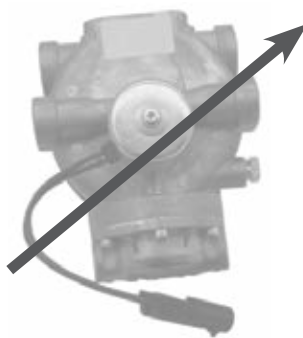
REF [107TA9125](#) Choke for all CENTURY vaporizers



REF [107TA9119](#) Draglink assy Barrel length 1" 1/4



REF [107TA9118](#) Draglink assy Barrel length 1" 7/8



Replaced by  
REF [143TA7670](#)

REF [143TA7669](#) Vaporizer with filter used for HYSTER/YALE



REF [143TA7670](#) Cobra with lock-off valve



## E-CONTROLS



REF [143TA7724](#)

Used in Closed loop system  
(Repair kit is REF [143TA7726](#))



REF [143TA7726](#)

Repair kit of (REF [143TA7724](#))



REF [143TA7725](#)

Used in Open loop system  
(Repair kit is REF [143TA7888](#))



REF [143TA7888](#)

Repair kit of (REF [143TA7725](#))



REF [144TA3727](#)

Mixer LPG E100M LP/ TIER-4,  
used in HYUNDAI



REF [144TA3728](#)

Mixer LPG E100M LP/ Non Cert,  
used in HYUNDAI



REF [144TA3729](#)

Mixer LPG E100M LP, used in CLARK



REF [144TA3730](#)

Diaphragm Models E 100M

## E-CONTROLS



REF [144TA4187](#) E330 Mixer



REF [144TA4186](#) Repair kit for E330 mixer



REF [144TA4076](#) Vaporizer

## IMPCO

IMPCO



# TVH<sup>®</sup>

Authorised Impco Distributor

# IMPCO<sup>®</sup>

SPECTRUM by IMPCO

SPECTRUM  
by IMPCO



Valve = REF [136TA3187](#)



REF [136TA3186](#) Throttle body 3.0 L LPG DBC

SPECTRUM  
by IMPCO



Valve = REF [136TA3187](#)



REF [136TA3188](#) Throttle body 4.3 L LPG DBC & BDW

SPECTRUM  
by IMPCO



REF [136TA3189](#) Throttle body used for LINDE

SPECTRUM  
by IMPCO



REF [136TA3190](#) Carburettor used for LINDE

SPECTRUM  
by IMPCO



REF [136TA3191](#) Carburettor + throttle body used for LINDE until 2005

SPECTRUM  
by IMPCO



REF [136TA3192](#) Carburettor + throttle body used for LINDE from 2006

SPECTRUM  
by IMPCO



REF [125TA2803](#) Sensor throttle position

SPECTRUM  
by IMPCO



REF [136TA3187](#) Fuel trim valve, FTV

## SPECTRUM by IMPCO

**SPECTRUM**  
by IMPCO



REF [143TA7553](#) Carburettor FT150

**SPECTRUM**  
by IMPCO

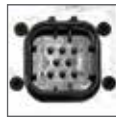


REF [143TA7632](#) Major repair kit of EPR vaporizer

**SPECTRUM**  
by IMPCO



REF [143TA7630](#) ERP vaporizer



**SPECTRUM**  
by IMPCO



REF [143TA7631](#) Minor repair kit of EPR vaporizer

**SPECTRUM**  
by IMPCO



REF [143TA7572](#) T-Fitting

**SPECTRUM**  
by IMPCO



REF [143TA7574](#) Ventil with adapter 1/2" NPT

**SPECTRUM**  
by IMPCO



REF [143TA7646](#) Ventil

**SPECTRUM**  
by IMPCO



REF [143TA7647](#) Ventil

SPECTRUM by IMPCO

SPECTRUM  
by IMPCO



REF [136TA3193](#) Lock-off 12 V

SPECTRUM  
by IMPCO



REF [136TA3194](#) Coolant temperature sensor

SPECTRUM  
by IMPCO



REF [136TA3195](#) Sensor, foot pedal position

SPECTRUM  
by IMPCO



REF [136TA3196](#) Valve pressure trim

SPECTRUM  
by IMPCO



REF [136TA3197](#) Pressure sensor

SPECTRUM  
by IMPCO



REF [136TA3198](#) Carburettor

SPECTRUM  
by IMPCO



REF [136TA3004](#) Vaporizer COBRA L4

SPECTRUM  
by IMPCO



REF [143TA7882](#) Fitting kit COBRA L4

## SPECTRUM by IMPCO

**SPECTRUM**  
by IMPCO



REF [143TA7633](#)

**SPECTRUM**  
by IMPCO



REF [143TA7634](#)

Carburettor Model FT60M  
used for GM 3,0 L engines

**SPECTRUM**  
by IMPCO



REF [143TA7635](#)

Carburettor Model FT60M  
used for GM 1,6 L engines

**SPECTRUM**  
by IMPCO



REF [143TA7636](#)

Carburettor Model FT60M  
used for TENNANT

**SPECTRUM**  
by IMPCO



REF [143TA7637](#)

Carburettor Model FT60M  
used for MAZDA engines FE / F2

**SPECTRUM**  
by IMPCO



REF [143TA7638](#)

90° 1/4" NPT X 3/8" flare

**SPECTRUM**  
by IMPCO



REF [143TA7639](#)

Adapter 1/4" NPT

**SPECTRUM**  
by IMPCO



REF [143TA7640](#)

70° Angle, hose 5/8"; with o-rings,  
fits .78" port

SPECTRUM by IMPCO

SPECTRUM  
by IMPCO



REF [143TA7641](#) Plug with o-rings

SPECTRUM  
by IMPCO



REF [143TA7642](#) Retaining pin

SPECTRUM  
by IMPCO



REF [143TA7643](#) Fitting assembly, Straight

SPECTRUM  
by IMPCO



REF [143TA7644](#) Valve, solenoid vacuum lift

SPECTRUM  
by IMPCO



Used for CLARK / DOOSAN  
Diameter Throttle body 40 mm  
used for GM 1,6 L

REF [143TA7629](#)

SPECTRUM  
by IMPCO



Used for LINDE with VW engine

REF [143TA7645](#)



## IMPCO



*The new standard vaporizer*

REF [107TA1732](#)

Vaporizer COBRA  
Outlet pressure - 370 Pa



REF [107TA1730](#)

Repair kit for COBRA / COBRA - I



REF [126TA6141](#)

Vaporizer COBRA - I  
Outlet pressure - 120 Pa  
with orange spring



REF [107TA1729](#)

Repair kit for COBRA vaporizer  
with CAP (Equipped for Germany)



REF [105TA4821](#)

Repair kit for Model J



REF [107TA9160](#)

Vaporizer Model E



REF [107TA9161](#)

Repair kit for Model E



REF [143TA7554](#)

Vaporizer COBRA  
with extra connection hole

IMPCO



REF [107TA9162](#) Vaporizer Model LB



REF [107TA9163](#) Repair kit for Model LB



REF [105TA4822](#) Fuel lock-off vacuum Model VFF30



REF [105TA4823](#) For Model VFF30

REF [126TA6148](#) For Model VFF30 with silicon diaphragm  
Repair kit



REF [107TA9165](#) Gasket for Model VFF30



REF [107TA9166](#) Filter + gasket for Model VFF30



REF [143TA7556](#) Fuel lock-off vacuum,  
Model VFF30-2, VMQ



REF [143TA7557](#) Repair kit VFF30-2, VMQ

## IMPCO



REF [143TA7558](#)

Fuel lock-off vacuum,  
Model VFF303-2, FVMQ



REF [143TA7559](#)

Repair kit VFF303, FVMQ



REF [143TA7560](#)

Switch

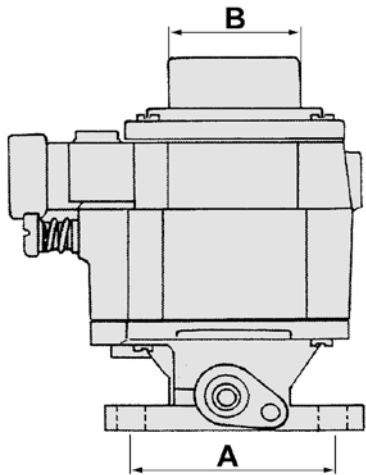


REF [143TA7561](#)

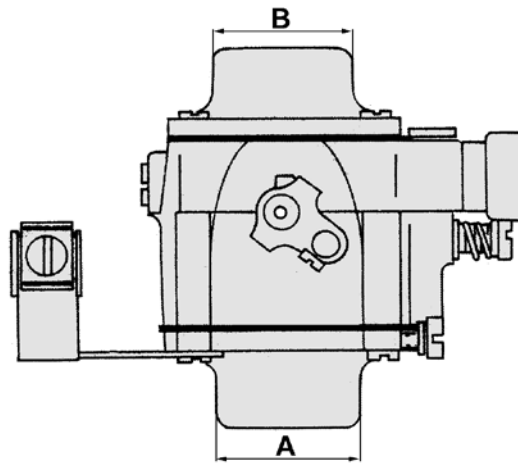
Switch

## IMPCO CA50 - CA55

**Type: 1**



**Type: 2**



Company: .....

Customer code: .....

Name: .....

Fax number: .....

**CA50-CA55**

Type:.....

Engine:.....

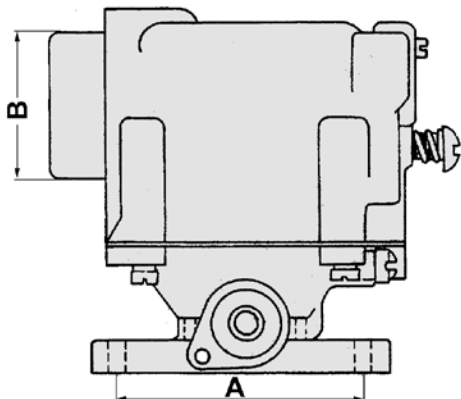
Model:.....

A:..... mm

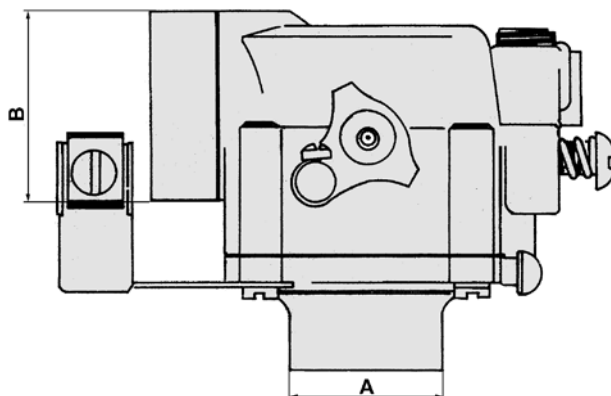
B:..... mm



**Type: 3**



**Type: 4**



## IMPCO CA50 - CA55



- REF [112TA1145](#) 1"1/2 (38,1 mm)
- REF [112TA1146](#) 1"5/8 (41,3 mm)
- REF [112TA1147](#) 1"3/4 (44,4 mm)
- REF [107TA9385](#) 1"7/8 (47,7 mm)
- REF [107TA9170](#) 2" 1/16 (52,4 mm)



REF [107TA9173](#) Model CA50 - CA55  
IMPCO Carburettor Series 500

**Type 1**  
A= 53 mm  
B= 43 mm



Model CA50 - CA55 IMPCO Carburettor  
Dia. air horn 43 mm  
used for HYSTER forklift

REF [107TA9169](#)

**Type 1**



Model CA50 - CA55 IMPCO  
used for 4Y-5K TOYOTA

REF [105TA4827](#)

**Type 1**  
A= 2" 3/8 (60,3 mm)  
B= special for 4P



Model CA50 - CA55 IMPCO  
1" SAE flange used for 4P TOYOTA engine

REF [107TA9172](#)

**Type 1**  
A= 2" 11/16 (68,3 mm)  
B= 2" 1/16 (52,4 mm)



Model CA50 - CA55 IMPCO  
1" 1/4 SAE flange

REF [107TA9171](#)

**Type 1**



Model CA50 - CA55 IMPCO  
Carburettor used for CLARK

REF [107TA9168](#)

**Type 1**  
A= 79 mm  
B= 63 mm



Model CA50 - CA55 IMPCO  
used for engine H20-II / H25

REF [107TA1734](#)

## IMPCO CA50 - CA55

**Type 2**

A = 1" 5/8 (41,3 mm)  
B = 1" 5/8 (41,3 mm)



Model CA50 - CA55 IMPCO  
for dual fuel

REF [107TA9178](#)

**Type 2**

A = 2" 1/16 (52,4 mm)  
B = 2" 1/16 (52,4 mm)



Model CA50 - CA55 IMPCO  
Carburettor for dual fuel air horn  
dia. 2" 1/16

REF [107TA9181](#)

**Type 2**



Model CA50 - CA55 M 750 L  
IMPCO mixer assy

REF [107TA9179](#)

**Type 2**

A = 1" 7/8 (47,6 mm)  
B = 1" 7/8 (47,6 mm)



Model CA50 - CA55 IMPCO  
dual fuel carburettor 1" 7/8 air horn 1" 7/8  
HOSE dual fuel w/lifter

REF [107TA9174](#)

**Type 3**

A = 2" 3/8 (60,3 mm)  
B = 1" 5/8 (41,3 mm)



Model CA50 - CA55 IMPCO carburettor  
1" SAE flange 1" 5/8 air horn

REF [107TA9177](#)

**Type 3**

A = 2" 3/8 (60,3 mm)  
B = 1" 5/8 (41,3 mm)



CA50 - CA55 model 500 IMPCO  
1" SAE flange x 1" 5/8 air horn

REF [107TA9176](#)

**Type 3**

A = 2" 1/16 (52,4 mm)  
B = 2" 1/16 (52,4 mm)



Model CA50 - CA55 IMPCO carburettor  
used for DEUTZ GF3L913

REF [107TA9182](#)

**Type 3**

A = 2" 3/8 (60,3 mm)  
B = 2" 1/16 (52,4 mm)



Model CA50 - CA55 IMPCO carburettor  
used for LINDE H15T with VW engine 1,6

REF [107TA9175](#)

## IMPCO CA50 - CA55

**Type 4**

A = 2" 1/16 (52,4 mm)  
B = 2" 1/16 (52,4 mm)



REF [107TA9180](#)

Model CA50 - CA55 IMPCO carburettor dual fuel dia. 2" 1/16

A = 2" 11/16 (68,3 mm)



REF [107TA9230](#)

IMPCO assy throat 1" 1/4 SAE flange



REF [107TA9228](#)

IMPCO assy throat used for 4Y & 5K engine

A = 2"1/16 (52,4 mm)



REF [107TA9246](#)

IMPCO assy throat for CA50 - CA55 serie 500

A = 2" 3/8 (60,3 mm)



REF [107TA9226](#)

IMPCO assy throat SAE flange 1"

REF [107TA9233](#)

1"1/2 (38,1mm)

REF [107TA9234](#)

1"5/8 (41,3 mm)

REF [107TA9235](#)

1" 7/8 (47,7 mm)

REF [107TA9236](#)

2" 1/16 (52,4 mm)

REF [107TA9237](#)

2" 5/16 (58,8 mm)

REF [107TA9238](#)

2"1/2 (63,5 mm)

IMPCO for CA50 - CA55



REF [107TA9239](#)

1"1/2 (38,1mm)

REF [107TA9240](#)

1"5/8 (41,3 mm)

REF [107TA9241](#)

1" 7/8 (47,7 mm)

REF [107TA9191](#)

2" 1/16 (52,4 mm)

REF [107TA9242](#)

2" 5/16 (58,8 mm)

IMPCO adapter for CA50 - CA55



REF [107TA9192](#)

IMPCO gasket for CA50 - CA55

## IMPCO CA50 - CA55



REF [143TA7562](#)

1" 7/8 air horn, 1" 7/8  
hose dual fuel with lifter



REF [143TA7563](#)

Used for 4Y engine in 6 and 7 series  
1" 1/2 SAE flange: 50 mm



REF [143TA7564](#)

Used for Z24 and H20 new style engines  
3/4" SAE flange: 43 mm



## IMPCO SPARE PARTS



REF [107TA9187](#) IMPCO gasket for CA50 - CA55



REF [107TA1735](#) Repair kit CA55



REF [107TA9184](#) IMPCO plate carburettor



REF [107TA9243](#) IMPCO air valve assembly



REF [107TA9185](#) IMPCO spring air valve CA50 - CA55



REF [136TA3170](#) Throttle body



REF [107TA9186](#) IMPCO spring idle cut off CA50



REF [107TA9190](#) IMPCO plug

## IMPCO SPARE PARTS

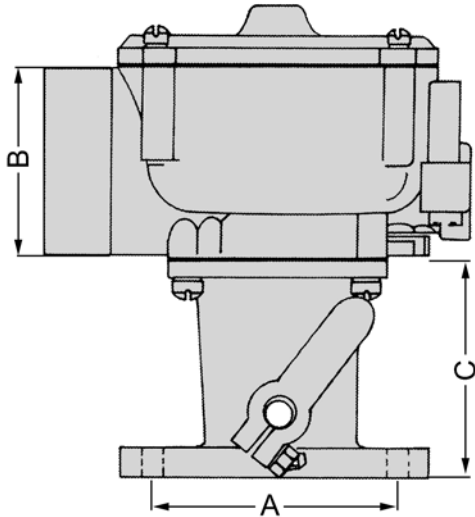


REF [107TA9189](#)

IMPCO adapter air horn  
used for 4P-5R TOYOTA engine

## IMPCO CA100

Type: CA100



Company:	.....
Customer code:	.....
Name:	.....
Fax number:	.....

### CA100

Engine:.....

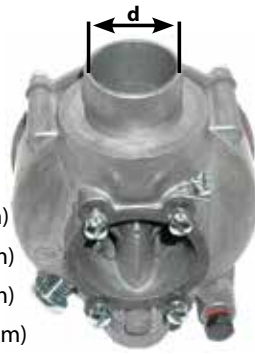
Model:.....

A:..... mm

B:..... mm

C:..... mm

## IMPCO CA100



- REF 107TA9194** 1" 1/2 (38,1mm)
- REF 107TA9200** 1" 5/8 (41,3 mm)
- REF 107TA9195** 1" 7/8 (47,7 mm)
- REF 107TA9196** 2" 1/16 (52,4 mm)
- REF 107TA9197** 2" 5/16 (53,8 mm)

Carburettor Model CA100 IMPCO

A = 2" 11/16 (68,3 mm)  
B = 2" 5/16 (58,8 mm)



**REF 107TA9213** Model CA100 IMPCO

A = 2" 11/16 (68,3 mm)  
B = 2" 1/16 (52,4 mm)



**REF 107TA9214** Carburettor Model CA100 IMPCO

A = 2" 11/16 (68,3 mm)  
B = 2" 1/16 (52,4 mm)



**REF 107TA9211** IMPCO carburettor used for HYSTER S125-S150A with 4.236 perkins engine

A = 2" 11/16 (68,3 mm)  
B = 2" 1/16 (52,4 mm)



**REF 107TA9210** IMPCO carburettor CA100

A = 2" 11/16 (68,3 mm)  
B = 2" 1/16 (52,4 mm)



**REF 107TA9209** Model CA100 IMPCO carburettor

A = 2" 15/16 (74,6 mm)  
B = 2" 5/16 (58,8 mm)



**REF 107TA9208** Model CA100 IMPCO carburettor

A = 2" 1/4 (57,2 mm)  
B = 1" 1/2 (38,1 mm)



**REF 107TA9207** Model CA100 IMPCO carburettor

## IMPCO CA100

A = 2" 11/16 (68,3 mm)  
B = 2" 5/16 (58,8 mm)



REF [107TA9203](#) Model CA100 IMPCO

A = 2" 3/8 (60,3 mm)  
B = 2" 1/16 (52,4 mm)



REF [107TA9202](#) Model CA100 IMPCO carburettor used for 4Y TOYOTA engine

B = 2" 1/16 (52,4 mm)



Model CA100 IMPCO mixer used for 4G33, 4G41, ... MITSUBISHI engines

REF [107TA9199](#)

A = 2" 3/8  
B = 2" 1/16 (52,4 mm)



REF [107TA9198](#) Model CA100 IMPCO carburettor

B = 2" 1/16 (52,4 mm)



REF [136TA3211](#) Carburettor Model CA100

## IMPCO SPARE PARTS

- REF 107TA9205** Cone 7 - silicon
- REF 106TA2922** Cone 7 - rubber
- REF 111TA3749** Cone 32 - silicon
- REF 111TA3750** Cone 47 - silicon
- REF 111TA3751** Cone 42 - rubber

IMPCO repair kit for CA100 - CA125



**REF 143TA7565** Carb + governor used for YALE / HYSTER



**REF 143TA7566** Governor used for YALE / HYSTER



**REF 107TA9386** Connector



**REF 143TA7567** Gasket CA100/125 air intake



**REF 143TA7568** Gasket



**REF 143TA7569** Gasket throttle body

## IMPCO CA125



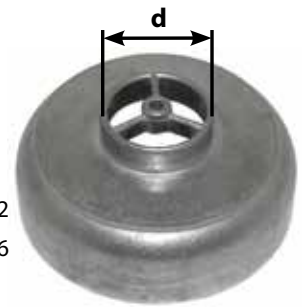
- REF 143TA7575** Cone 32
- REF 143TA7576** Cone 47
- REF 143TA7577** Cone B
- REF 143TA7578** Cone A

Repair kits CA125 used for LINDE



**REF 107TA9216**

Model CA125 IMPCO carburettor  
air horn dia. 2" 5/16



- REF 106TA2916** d = 2" 1/8
- REF 107TA9364** d = 2" 7/32
- REF 106TA2917** d = 2" 5/16
- REF 106TA2918** d = 2" 5/8
- REF 106TA2919** d = 2" 3/4
- REF 106TA2920** d = 3" 1/8

IMPCO adapter air horn CA125



**REF 107TA9215**

Model CA125 IMPCO mixer

IMPCO SPARE PARTS



REF [107TA9232](#)

Adapter used for carburettor LINDE 352 (PERKINS)



REF [107TA9231](#)

Adapter CA100 - CA125

A = 2" 11/16 (68,3 mm)



REF [107TA9225](#)

IMPCO assy throat for CA100 - CA125

A = 2" 13/16 (71,4 mm)



REF [107TA9229](#)

IMPCO assy throat for CA100 - CA125

A = 2" 3/8 (60,3 mm)



REF [107TA9245](#)

IMPCO assy throat for CA100 - CA125

A = 2" 15/16 (74,6 mm)



REF [107TA9227](#)

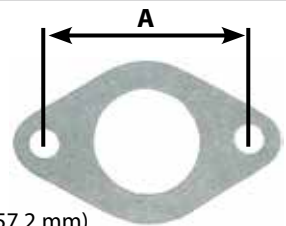
IMPCO assy throttle CA100

A = 2" 11/16 (68,3 mm)



REF [107TA9244](#)

IMPCO assy throttle for CA100 - CA125



REF [107TA9365](#)

A = 2" 1/4 (57,2 mm)

REF [107TA9218](#)

A = 2" 3/8 (60,3 mm)

REF [107TA9366](#)

A = 2" 11/16 (68,3 mm)

REF [107TA9368](#)

A = 2" 13/16 (71,5 mm)

REF [107TA9367](#)

A = 2" 15/16 (74,6 mm)

IMPCO gasket



## IMPCO SPARE PARTS



REF [107TA9250](#)

IMPCO adapter used for 3P TOYOTA engine



REF [107TA9249](#)

IMPCO adapter used for 4G33, 4G41, ... MITSUBISHI engine



REF [107TA9248](#)

IMPCO adapter used for J15 NISSAN engine



REF [107TA9247](#)

IMPCO adapter used for H20 NISSAN engine



REF [107TA9363](#)

Used for 4Y-5K engine



REF [143TA7570](#)

Gasket adapter 4Y-5K engines



REF [143TA7571](#)

Adapter for CA100 on 1FZ engine

## IMPCO SPARE PARTS



REF [107TA9223](#) IMPCO screw 1/4"



REF [107TA9219](#) IMPCO screw 5/16"



REF [107TA9220](#) IMPCO ring 2" 5/8"



REF [107TA9221](#) IMPCO lever: dia. 11 mm



REF [107TA9222](#) IMPCO assy stud 1/4" x 5" 1/2"



REF [143TA7555](#) IMPCO lever: dia. 9,5 mm



REF [143TA7572](#) Valve kit



REF [143TA7573](#) Coupler

## IMPCO SPARE PARTS



REF [143TA7574](#) Valve kit



REF [107TA9259](#) Assy spring 5/16" shaft



REF [107TA9258](#) Assy spring 1/4" shaft



REF [107TA9257](#) IMPCO assy throttle stop dia. 5/16"



REF [107TA9255](#) IMPCO assy throttle stop dia. 1/4"



REF [107TA9315](#) Choke IMPCO

## LPG-KIT with IMPCO carburettor & vaporizer



**REF 107TA9146** Used for KOMATSU Z11 serie with 4P - 5K TOYOTA engine



**REF 107TA9145** Used for KOMATSU PETROL + LPG with A15 + H20 NISSAN engine or 4P + 5K TOYOTA engine



**REF 107TA9142** Used for KOMATSU Z11 serie with H20 engine

## LPG-KIT with IMPCO carburettor & vaporizer



REF [107TA9141](#)

Used for KOMATSU with 4P TOYOTA engine



REF [143TA7624](#)

Upgrade kit TOYOTA 4Y and 4P engine (AISAN to IMPCO)



REF [143TA7625](#)

Upgrade kit MAZDA FE and F2 engine on HYSTER/YALE (AISAN to IMPCO)

## LPG-KIT with IMPCO carburettor & vaporizer



REF [143TA7626](#) IMPCO kit used for GM 4,3 L on CLARK

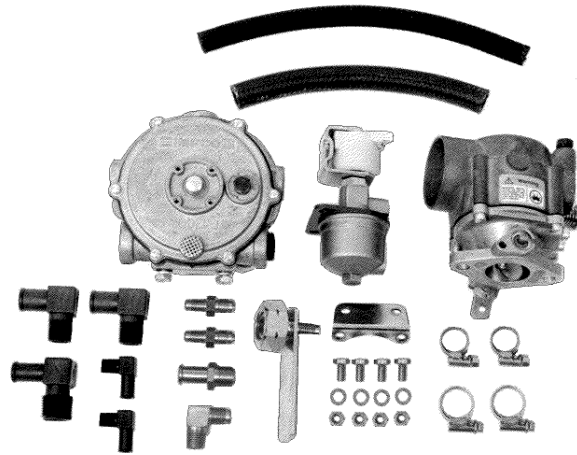


REF [143TA7627](#) IMPCO conversion kit used for NISSAN K21/K25 open loop, only LPG



REF [143TA7628](#) LPG kit used for NISSAN K15-K21-K25-TB45 engines

## LPG-KIT with IMPCO carburettor & vaporizer



REF [107TA9149](#)

Used for LINDE H15T model 350 with VW 1,8 L engine



REF [107TA9148](#)

Used for LINDE H40-45 model 352 with G4.236 PERKINS engine



REF [107TA9144](#)

Used for LINDE H15T model 330 with VW 1,6 L engine

## LPG-KIT with IMPCO carburettor & vaporizer



**REF 107TA9147**

Used for MITSUBISHI with 4G15 - 4G33 - 4G41 - 4G54 - 4G64 engine



**REF 112TA1162**

Used for MITSUBISHI with 4G15 - 4G33 - 4G41 - 4G54 - 4G64 engine  
kit with electric lock-off valve



## LPG-KIT with IMPCO carburettor & vaporizer



REF [107TA9137](#) Used for NISSAN with J15 engine



REF [107TA9136](#) Used for NISSAN petrol + LPG FX serie, with A15 + H20 engine



REF [107TA9135](#) Used for NISSAN with D11 engine

LPG-KIT WITH IMPCO CARBURETTOR & VAPORIZER

## LPG-KIT with IMPCO carburettor & vaporizer



**REF 107TA9140** Used for NISSAN with J15 engine



**REF 107TA9139** Used for NISSAN FX series with A15 - H20 engine Z24 engine



**REF 107TA9138** Used for NISSAN with H20 engine

## LPG-KIT with IMPCO carburettor & vaporizer



REF 107TA9143

Used for NISSAN FX serie with Z24 engine



REF 106TA2857

Used for NISSAN with H20-II / H25 engine H15 / K21 engine

## LPG-KIT with IMPCO carburettor & vaporizer



**REF 107TA9151** Used for TCM ALFA-serie with Z24 NISSAN engine



**REF 107TA9152** Used for TCM with A15 + H20 NISSAN engine

For all our latest catalogue updates and company info: [www.tvh.com](http://www.tvh.com)

## LPG-KIT with IMPCO carburettor & vaporizer



REF [106TA2856](#) Used for 4Y TOYOTA engine



REF [107TA9154](#) Used for TOYOTA with 4P and 5R engines



REF [107TA9153](#) Used for TOYOTA dual fuel LPG-kit with 4Y engine

LPG-KIT WITH IMPCO CARBURETTOR & VAPORIZER

## LPG-KIT with IMPCO carburettor & vaporizer



REF [107TA9157](#) Used for TOYOTA PETROL + LPG with 4P + 5R engine



REF [107TA9156](#) Used for TOYOTA 4Y engine special



REF [107TA9155](#) Used for TOYOTA PETROL + LPG 4Y engine

For all our latest catalogue updates and company info: [www.tvh.com](http://www.tvh.com)

## LPG-KIT with IMPCO carburettor & vaporizer



REF [107TA9159](#) Used for 5P TOYOTA engine



REF [107TA9150](#) Used for TOYOTA with 3P engine



REF [107TA9158](#) Used for TOYOTA with 5K engine

LPG-KIT WITH IMPCO CARBURETTOR & VAPORIZER

## LPG-KIT with IMPCO carburettor & vaporizer



REF 111TA6583

Used for TOYOTA 3FG60 with 2F engine



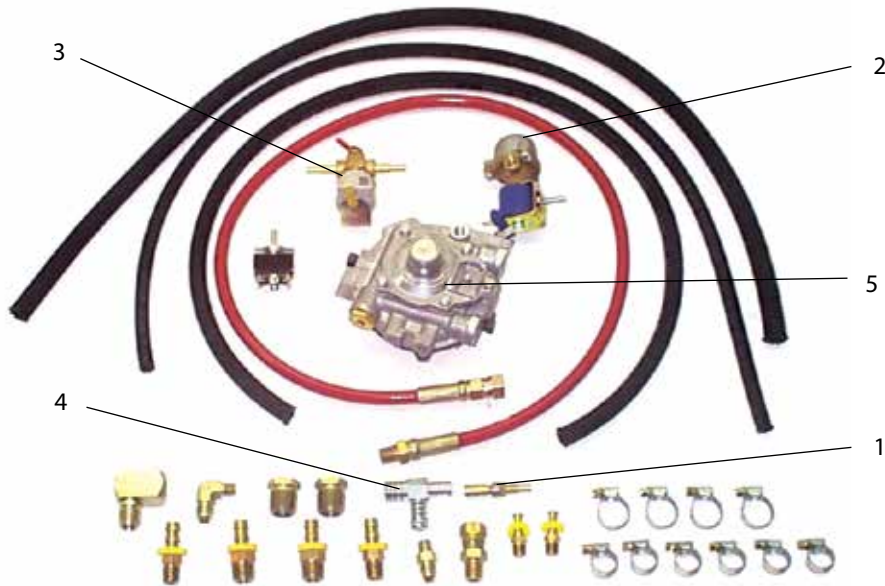
## Universal kits

This is a conversion kit petrol/lpg.

The kit can be fitted on all makes of forklifts (A) = up to 60 HP and (B) = up to 120 HP.

Includes an injector (1) that must be mounted in the middle of the venturi in the Carburettor.

The injector has a thread size of M8x1,5. This kit also includes: LPG lock-off (2), petrol lock-off (3), flow vaporizer (4), vaporizer (5), all the hoses and all the fittings to mount the kit easily.



(A) = Conversion kit :  
LPG and Petrol  
<60 HP.

**REF 106TA2858**



(B) = Conversion kit:  
LPG and petrol  
<120 HP.

**REF 106TA2859**

## J & S



REF [107TA9262](#) Vaporizer type 11A28



REF [107TA9261](#) Repair kit for (REF [107TA9262](#))



REF [107TA9260](#) Vaporizer type 600



REF [107TA9266](#) J & S carburettor



REF [107TA9263](#) Serpentin



REF [107TA9270](#) J & S kit



REF [107TA9272](#) J & S diaphragm



REF [107TA9271](#) J & S kit

## J & S



REF [107TA9268](#) J & S repair kit



REF [107TA9269](#) J & S primer kit

LANDI HARTOG



REF [106TA2934](#) Vaporizer type JH



REF [107TA7694](#) Repair kit for type JH



REF [107TA9273](#) Choke



REF [107TA9397](#) Repair kit with mix corrector for type JH

## LANDI RENZO



REF [126TA6039](#) Vaporizer LSE98



REF [111TA6204](#) Repair kit



REF [136TA3006](#) Vaporizer SE 81 SIC



REF [107TA7696](#) Repair kit for SE 81 SIC



REF [107TA9310](#) Fuel lock-off 12 V



REF [143TA7623](#) Fuel lock-off valve

LOVATO



REF [107TA7695](#) LOVATO repair kit for (REF 107TA1736 & REF [136TA3005](#))



Replaced by  
REF [136TA3011](#)

REF [107TA9278](#) Choke



REF [136TA3005](#) LOVATO RGV090



REF [136TA3011](#) Choke RGV090



REF [143TA7622](#) Minikit carburettor GV090 with CL1 fuel switch



REF [143TA7618](#) LPG shut-off valve M10 x 1 Repair kit (REF [143TA7619](#))



REF [143TA7619](#) Repair kit for (REF [143TA7618](#))



Water connection dia. 15,5

REF [144TA3698](#)



Gas connection dia. 20,5

REF [144TA3699](#)

## NIKKI for K15 / K21 / K25



Vaporizer dual fuel  
used for NISSAN, CATERPILLAR,  
MITSUBISHI, JUNGHEINRICH

REF [136TA3065](#)



REF [136TA3066](#) Repair kit for (REF [136TA3065](#))



Vaporizer dual fuel  
used for KOMATSU

REF [136TA3067](#)



REF [107TA1733](#) Repair kit for (REF [136TA3067](#))



REF [136TA3068](#) Valve solenoid for (REF [136TA3067](#))



Vaporizer - EFI (2003/07-2007/08)  
without electric heater

REF [136TA3069](#)



REF [136TA3070](#) Repair kit for (REF [136TA3069](#))



REF [143TA7678](#) 1st valve used in rep. kit  
(REF [136TA3066](#)) and (REF [107TA1733](#))

## NIKKI for K15 / K21 / K25



REF [143TA7679](#) 2nd valve



REF [143TA7680](#) Vaporizer used for K25 engine in LINDE



REF [136TA3206](#) Vaporizer used for TCM



REF [136TA3207](#) Repair kit for (REF [136TA3206](#))



REF [136TA3208](#) Solenoid for (REF [136TA3206](#))



REF [143TA7681](#) Throttle body



REF [143TA7682](#) Throttle body used for K21 and K25 engines



REF [143TA7696](#) Electric throttle body ( HITACHI)



## NIKKI for K15 / K21 / K25



REF [136TA3071](#)

Vaporizer - EFI (2003/07-2007/08)  
with electric heater



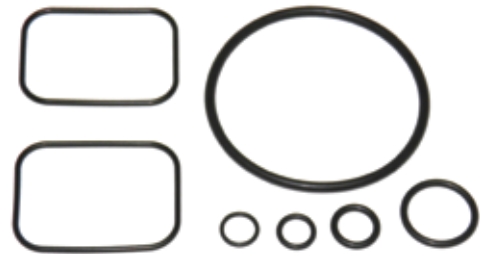
REF [136TA3072](#)

Repair kit for (REF [136TA3071](#))



REF [136TA3073](#)

Vaporizer assy - K21 / K25 EFI (2007/09 - )  
with electric heater



REF [136TA3074](#)

Seal kit



REF [136TA3075](#)

Diaphragm assy



REF [136TA3076](#)

Valve complete



REF [136TA3077](#)

Diaphragm assy



REF [136TA3079](#)

Diaphragm

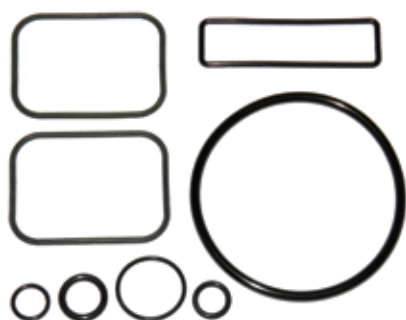
NIKKI for K15 / K21 / K25



REF [143TA7683](#) Heater housing



REF [143TA7684](#) Heating plate for (REF [143TA7683](#))



REF [143TA7685](#) Seal kit



REF [143TA7686](#) Diaphragm and valve kit



REF [143TA7688](#) Injector holder used for K21, EFI DUAL fuel on NISSAN A L01/L02 series 12/2004 -



REF [143TA7689](#) Injector holder used for K25, EFI DUAL fuel on NISSAN A L01/L02 series 12/2004 -



REF [143TA7644](#) Used for LINDE with K25 engine



REF [143TA7691](#) Valve assy – solenoid used for NISSAN engines



## NIKKI for K15 / K21 / K25



**REF 136TA3080** Carburettor for K21 LPG



**REF 136TA3081** Carburettor for K25 LPG



**REF 136TA3082** K15 (2003/07 - )  
**REF 136TA3083** K21 (2003/07 - 2007/08) - picture  
**REF 136TA3084** K21 (2007/09 - )  
 Holder assy injector LPG, EFI



**REF 136TA3085** K25 (2003/07 - 2007/08) - picture  
**REF 136TA3086** K25 (2007/09 - )  
 Holder assy injector LPG, EFI

**REF 136TA3088** K15 ( 2003/07- )  
**REF 136TA3089** K21 ( 2003/07- 2007/08 )  
**REF 136TA3090** K21 ( 2007/09 - )  
**REF 136TA3091** K25 ( 2003/07- 2007/08 )  
**REF 136TA3092** K25 ( 2007/09 - )  
 Injector assy - LPG



**REF 136TA3087** Solenoid assy



**REF 143TA7687** Filter for holder assy injector

## NIKKI for K15 / K21 / K25



**REF 143TA7719** LPG adapter H20/H25 engine dia. 27 mm



**REF 143TA7693** LPG adapter K15 engine dia. 25 mm



**REF 143TA7694** LPG adapter K21 engine dia. 27 mm



**REF 143TA7695** LPG adapter K25 engine dia. 27 mm



**REF 143TA7692** LPG adapter K15 engine dia. 25 mm

## NIKKI



REF [107TA9080](#) Valve from (REF [107TA1733](#))



REF [107TA9087](#) Diaphragm



REF [107TA9358](#) Vaporizer used for 4G33, 4G41, ... MITSUBISHI engine



REF [107TA9360](#) Vaporizer used for NISSAN J02



REF [107TA1733](#) Repair kit for (REF [107TA9358](#)) and (REF [107TA9360](#))



REF [107TA9082](#) Vaporizer



REF [143TA7712](#) Vaporizer



REF [107TA9077](#) Repair kit for (REF [107TA9082](#)) and (REF [143TA7712](#))

NIKKI



REF [143TA7713](#) Vaporizer



REF [143TA7714](#) Repair kit for (REF [143TA7713](#))



REF [143TA7715](#) Vaporizer used for TB45 engine in NISSAN F05 series from jan. 2004



REF [143TA7716](#) Dash pot assy



REF [143TA7717](#) 1st valve used in (REF [107TA1733](#))



REF [143TA7718](#) 2nd valve used in (REF [107TA1733](#))



REF [143TA7720](#) Elbow 90°, used for NIKKI, 3/8" BSP, 3/8" hose connection

## TELEFLEX - GFI



REF [136TA3181](#) Injector LPG



REF [136TA3184](#) LPG lock-off



REF [136TA3182](#) Nacco vaporizer



REF [143TA7673](#) Nacco repair kit for (REF [136TA3182](#))



REF [136TA3185](#) Throttle body



REF [143TA7675](#) Motor idler speed control



REF [143TA7677](#) Motor, governor control



REF [143TA7676](#) Gasket motor idles speed control

TELEFLEX - GFI



REF [143TA7600](#)

LPG filter  
dia. 61,5 mm, lenght 155 mm, 3/8" SAE



REF [143TA7672](#)

Injector  
used for GM 2,4 L , 2010 Series



REF [136TA3183](#)

Universal repair kit for (REF [143TA7674](#))



REF [143TA7674](#)

Universal SGI vaporizer



## WOODWARD



**REF 143TA7727** Model N-2007  
Repair kit is (REF [143TA7730](#))



**REF 143TA7728** Model N-2007  
Repair kit is (REF [143TA7730](#))



**REF 143TA7729** Model N-2007  
Repair kit is (REF [143TA7730](#))



**REF 143TA7730** Repair kit Model N-2007



**REF 143TA7731** Model N-2001RSA  
Repair kit is (REF [143TA7732](#))



**REF 143TA7732** Repair kit REF [143TA7731](#)



**REF 143TA7733** Used for CLARK and DOOSAN  
with 4G64 engine

ZENITH-BENDIX



REF [107TA9294](#)

Repair kit for ZENITH-BENDIX vaporizer type K2944



REF [107TA9293](#)

Repair kit for ZENITH-BENDIX vaporizer type K2948



REF [107TA9289](#)

Repair kit vaporizer



REF [107TA9291](#)

Repair kit



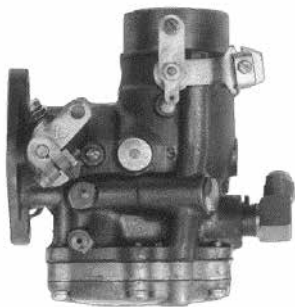
REF [107TA9290](#)

Vaporizer with cooler



REF [107TA9282](#)

Carburettor vaporizer used for CLARK C500-355 C500-Y355



REF [107TA9284](#)

Carburettor vaporizer used for CLARK C500 - Y1015



REF [107TA9283](#)

Carburettor vaporizer used for CLARK

## ZENITH-BENDIX

ZENITH-BENDIX



REF [106TA2931](#)

Carburettor vaporizer  
used for CLARK C500 Y30-50



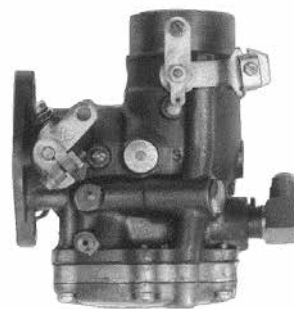
REF [107TA9287](#)

Carburettor vaporizer  
used for CLARK



REF [107TA9286](#)

Carburettor vaporizer  
used for CLARK C500-355



REF [107TA9285](#)

Carburettor vaporizer  
used for CLARK

LPG LOCK-OFF VALVE + FILTER



Filter kit = REF [106TA2909](#)



REF [105TA4828](#) Lock-off valve with 12 V filter, M10 x 1



LPG filter for (REF [105TA4828](#)), (REF [143TA7617](#)) and (REF [143TA7616](#))

REF [106TA2909](#)



Filter element = REF [106TA2927](#)



REF [107TA9295](#) CENTURY Lock-off valve with 12 V filter



Filter = REF [106TA6809](#)



REF [107TA9296](#) Lock-off valve with 12 V filter used for NISSAN H02 with H20 engine



Filter kit = REF [136TA3172](#)



REF [136TA3012](#) LPG shut-off valve 12 V, 1/4" NPT used for LINDE



Filter = REF [106TA6809](#)



REF [136TA3013](#) NIKKI lock-off valve 12 V with filter



Filter kit = REF [107TA9106](#)



REF [107TA9105](#) BEDINI Lock-off valve with filter, M10 x 1



Filter = REF [106TA6809](#)



REF [136TA3212](#) NIKKI lock-off valve 12 V with filter

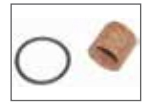
## LPG LOCK-OFF VALVE + FILTER



REF [143TA7890](#)

NIKKI lock-off valve 12 V with filter, without connections

Filter element = REF [107TA9372](#)



REF [106TA2937](#)

Lock-off valve 12 V with 1/4" NPT M/F



REF [143TA7617](#)

Marini brand, M10 x 1



REF [143TA7618](#)

LPG shut-off valve M10 x 1 Repair kit ([143TA7619](#))



REF [143TA7619](#)

Repair kit for (REF [143TA7618](#))



REF [143TA7620](#)

1/4" NPT



REF [143TA7621](#)

Repair kit for (REF [143TA7620](#))



REF [143TA7616](#)

Lock-off with 12 V filter, 1/4" NPT

## LPG FILTER



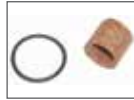
**REF 107TA9300** LPG filter 1/4" NPT-M X 1/4" NPT-F

Filter element = REF [107TA9372](#)



**REF 107TA9299** LPG filter, 90°

Filter element = REF [107TA9372](#)



**REF 107TA9298** LPG filter 1/4" NPTF X 1/4" NPTF



**REF 107TA9372** Element for (REF [107TA9298](#)) + (REF [107TA9301](#))

Filter element = REF [106TA2927](#)



**REF 106TA2928** CENTURY Filter

Filter = REF [106TA6809](#)



**REF 136TA3171** LPG filter

Outer dia. = 22 mm  
Inner dia. = 10 mm  
Total height = 52 mm



**REF 106TA6809** LPG filter

Filter element = REF [107TA9372](#)



**REF 144TA6941** LPG filter 1/4" NPT x 1/4" NPT

## LPG FILTER



REF [143TA7600](#)

LPG filter  
dia. 61,5 mm, length 155 mm, 3/8" SAE



REF [143TA7601](#)

1/4" NPT, 90°



REF [144TA3700](#)

Repair kit for (REF [143TA7601](#))



REF [143TA7604](#)

Repair kit  
for valtek type 3 (REF [143TA7603](#))

Picture not  
yet available

REF [143TA7603](#)

Valtek type 3, M10 x 1



REF [107TA9301](#)

LPG filter 1/4" NPT x 1/4" NPT

## LPG FILTER

Filter kit = REF [136TA3205](#)



REF [136TA3204](#) LPG filter used for MAZDA engines

Filter element = REF 104TA7942



REF [136TA3219](#) LPG filter

Outer dia. = 24 mm  
Inner dia. = 15 mm  
Total height = 50 mm



REF [106TA6810](#) LPG filter

Filter element = REF 136TA3173



REF [136TA3007](#) LPG filter

Filter kit = REF [104TA7936](#)



REF [136TA3174](#) LPG filter

Filter element = REF 126TA6244



REF [136TA3175](#) LPG filter

Filter kit = REF [126TA9944](#)



REF [126TA9943](#) LPG filter



REF [126TA9944](#) Element for (REF [126TA9943](#))



## LPG LOCK-OFF VALVE



REF [107TA9308](#)

Lock-off valve 12 V used for MITSUBISHI FG15



REF [107TA9307](#)

Lock-off valve 12 V used for TOYOTA



REF [107TA9306](#)

Lock-off valve 12 V used for TOYOTA



REF [107TA9305](#)

Lock-off valve 12 V 90°, 1/4" NPT



REF [107TA9376](#)

Lock-off valve 12 V 1/4" NPT on-line



REF [107TA9377](#)

Lock-off 24 V 90°, 1/4" NPT



REF [107TA9378](#)

Lock-off valve 12 V, 1/4" NPT



REF [143TA7592](#)

LPG lock-off

LPG LOCK-OFF VALVE



REF [143TA7591](#) LPG lock-off 24 V, 90°, 1/4" NPT M/F



REF [143TA7589](#) LPG Lock-off valve 12 V 8 W, 2x M10 x 1



REF [143TA7590](#) LPG Lock-off valve 2x 1/8" NPT



REF [144TA3701](#) LPG Lock-off valve 2x 1/8" NPT



REF [144TA4069](#) LPG Lock-off valve 12 V 8 W, 1/4" NPT F/F"



REF [144TA5347](#) 2 x 1/8" BSPT used on TOYOTA

## FUEL LOCK-OFF VALVE



REF [107TA9312](#) Fuel lock-off 12 V



REF [107TA9374](#) Lock-off valve 12 V 1/8" NPT



REF [107TA9375](#) 3-way



REF [143TA7579](#) Fuel lock-off 12 V



REF [143TA7580](#) NIKKI fuel lock-off 12 V



REF [143TA7581](#) MED fuel lock-off 12 V



REF [143TA7582](#) LOVATO fuel lock-off



REF [107TA9310](#) Fuel lock-off 12 V

For all our latest catalogue updates and company info: [www.tvh.com](http://www.tvh.com)

**This is only a selection of governors. For all other governors call our sales department !**

## GOVERNORS

**AISAN**



REF [107TA1824](#)

Used for TOYOTA 5FG 20-23-25 with 4P engine

**AISAN**



REF [107TA1820](#)

Used for TOYOTA 4FGL10-14-15-18 with 4P engine

**AISAN**



REF [107TA1823](#)

Used for TOYOTA 5FG20-23-25 with 5K engine

**AISAN**



REF [107TA1819](#)

Used for TOYOTA 4FG20-23-25 with 5R engine from 78/04 - 83/06

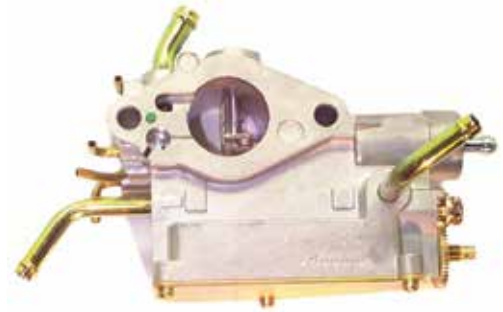
**AISAN**



REF [107TA1822](#)

Used for TOYOTA 02FG32-35-40 with 2F engine

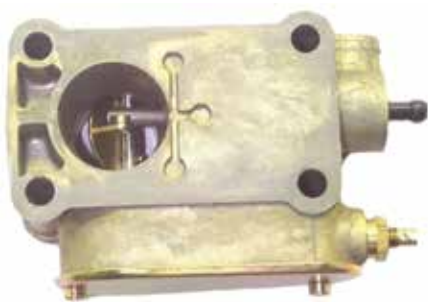
**AISAN**



REF [107TA1818](#)

Used for TOYOTA 5FG20-23-25 with 4Y engine

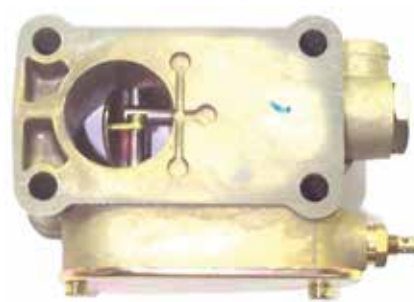
**AISAN**



REF [107TA1821](#)

Used for TOYOTA 2FG10-14-15 with 3P engine

**AISAN**



REF [107TA1817](#)

Used for TOYOTA 2FG15 with 5R engine

For all our latest catalogue updates and company info: [www.tvh.com](http://www.tvh.com)  
**This is only a selection of governors. For all other governors call our sales department !**

GOVERNORS

## GOVERNORS

**AISAN**



REF [107TA1832](#)

Used for NISSAN H02 with H20 engine

**AISAN**



REF [107TA1825](#)

Used for NISSAN NFG 101 FG 102 FG 103 with D11 engine

**AISAN**



REF [107TA1831](#)

Used for NISSAN F01 series with J15 or D11 engine (NISSAN)

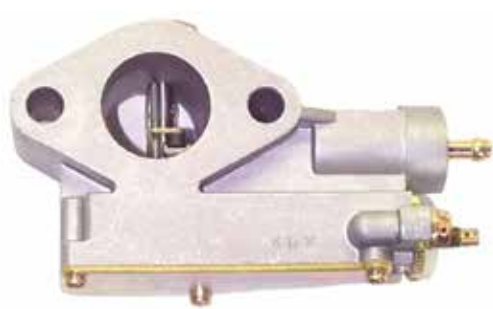
**AISAN**



REF [107TA1828](#)

Used for TOYOTA FG20 with 2R engine

**AISAN**



REF [107TA1830](#)

Used for CATERPILLAR V80E with perkins 4.236 engine

**AISAN**



REF [107TA1827](#)

Used for MITSUBISHI with 4G52-54 engine

**AISAN**



REF [107TA1829](#)

Used for TOYOTA 2 FG 20,25 with 4P engine

**AISAN**



REF [107TA1826](#)

Used for TOYOTA 42-4 FG 15 & 42-2 FG 25 with 5R engine

For all our latest catalogue updates and company info: [www.tvh.com](http://www.tvh.com)

**This is only a selection of governors. For all other governors call our sales department !**

## GOVERNORS

### AISAN



REF [107TA1840](#)

Used for HYSTER with GM engine: (6 cyl.)

### AISAN



REF [107TA1836](#)

Used for TOYOTA 5 FG 35, 40,45 with 3F engine

### AISAN



REF [107TA1839](#)

Used for TOYOTA 4 FG 15 with 4P engine

### AISAN



REF [107TA1835](#)

Used for YALE GLP 20/30RF with MAZDA FE engine

### HOOF



REF [107TA1838](#)

Used for HYSTER H2.00 - 2,50 J & H3.00 JS G.M. 4 cyl. 4.181

### HOOF



REF [107TA1833](#)

Used for YALE and CLARK with CHRYSLER 225-6 engine

### HOOF



REF [107TA1837](#)

Used for CLARK with FORD 300-6 engine

### HOOF



REF [107TA1834](#)

Used for CLARK H500 Model S10M105 with RENAULT R810 - R847 engine

For all our latest catalogue updates and company info: [www.tvh.com](http://www.tvh.com)  
**This is only a selection of governors. For all other governors call our sales department !**

GOVERNORS

## GOVERNORS

### HOOF



REF [107TA1848](#)

Used for HYSTER with GM (V6) (4,3 L) engine

### HOOF



REF [107TA1845](#)

Used for CLARK Model S365

### HOOF



REF [107TA1847](#)

Used for TENNANT with FORD-engine 98-4

### HOOF



REF [107TA1846](#)

Used for CLARK (Rpm 2250)

### HOOF



REF [107TA1852](#)

Used for YALE / FENWICK Model S100

### HOOF



REF [107TA1849](#)

Used for STILL / SAXBY FORD 1.6 L-4 LPG engine

### HOOF



REF [107TA1851](#)

Model S20M198

### KOSHIDA SHOKO



REF [107TA1850](#)

Used for NISSAN F02 with H2O engine

For all our latest catalogue updates and company info: [www.tvh.com](http://www.tvh.com)

This is only a selection of governors. For all other governors call our sales department !

## GOVERNORS

### KOSHIDA SHOKO



REF [107TA1860](#) Used for NISSAN with A15 engine

### KOSHIDA SHOKO



REF [107TA1856](#) Used for NISSAN with Z24 engine

### KOSHIDA SHOKO



Model S276  
REF [107TA1859](#) Used for TCM with H20 engine NISSAN

### KOSHIDA SHOKO



REF [107TA1855](#) Used for YALE with MAZDA engine

### KOSHIDA SHOKO



REF [107TA1858](#) Used for NISSAN J01 & J02 dia. 30 with H 15 and K 15 engine

### KOSHIDA SHOKO



REF [107TA1854](#) Used for NISSAN, FHG20, 25, 30N TCM with Z24 engine

### KOSHIDA SHOKO



REF [107TA1857](#) Used for CLARK GPM 20-30H

### KOSHIDA SHOKO



REF [107TA1853](#) Used for NISSAN J01 (U) with A15 engine Governor assy dia. 33 with all the tubes



For all our latest catalogue updates and company info: [www.tvh.com](http://www.tvh.com)  
**This is only a selection of governors. For all other governors call our sales department !**

## GOVERNORS

GOVERNORS



REF [143TA7734](#)

Governor assy dia. 33  
with two small tubes and without thick  
tube / H20, H25, K21, K25



REF [143TA7735](#)

Governor assy dia. 33 without tubes  
H20, H25, K21, K25

*For all other governors,  
please contact us with  
your machine details*

## LPG CONTROL

Relay = REF [134TA9844](#)



REF [107TA9314](#) Start delay, fuel lock control



REF [106TA2907](#) Control kit bottle



REF [107TA1709](#) Control bottle 3 to 6 bar, 1/4" NPT



REF [107TA1710](#) Control bottle 2 to 4 bar, 1/8" NPT



REF [107TA9313](#) Lock-off valve 12 V, 1/2" NPT



REF [105TA4832](#) Indicator for level gauge



REF [126TA6149](#) Pressure switch 1/8" NPT



REF [126TA6150](#) Indicator for SRG / rochester gauge

## LPG CONTROL



REF [143TA7583](#) Pressure switch 40 PSI, 1/8" NPT



REF [107TA9396](#) Switch, gas/fuel with choke



REF [106TA2877](#) Switch, gas/fuel



REF [143TA7584](#) Switch, used for CATERPILLAR



REF [143TA7585](#) Switch, used for TOYOTA



REF [139TA4893](#) Vegotech buffertank



REF [143TA7883](#) MLD 2nd generation



REF [143TA7587](#) Minimum level detector without cable

## LPG CONTROL

### Save on fuel cost, increase productivity

Wasted fuel and a the risk of vehicle stand-still due to fuel starvation has become an increased issue with the introduction of LPG exchange tanks to industrial vehicles. The newly developend Reserve Fuel System is the professional solution to save on fuel cost and increase productivity.

In many countries the use of LPG exchange tanks on forklift trucks has become the standard. LPG distributors collect the empty tanks and replace them with filled units. Typically these LPG tanks have only one valve and no fuel level indicator meaning that drivers will exchange the almost empty LPG tank based on run hours and their best guess of how much gas is still in the tank.

### Major downsides of exchange LPG tanks:

- LPG tanks are returned to the gas distributor with unused fuel left in the tank adding significantly to operating costs.
- Forklift trucks may come to a standstill when running out of gas. Hydrostatic forklift trucks cannot be towed, access may be obstructed and the production process may become severely disrupted.

This newly developed product is a reliable, industrialized solution that allows operators to run the LPG tank completely empty and still make it to the nearest tank exchange location. When the LPG tank is completely empty a signal will show, leaving an accurate remaining drive time thus avoiding the risk of standstill. The system is insensitive to bumpy rides or hard cornering.

REF [143TA7884](#) IMPCO reserve fuel system



### Key Features:

- Robust design in accordance with Machinery Directive (2006/42/EG App IIB)
- Complete Scope of Supply with all necessary parts included

### Key Benefits:

- Guaranteed empty fuel cylinders upon exchange
- Improved productivity due to reduced down time
- Easy installation

### SPARE TANK

No more stranded forklifts!

The Return Reserve kit allows 5-10 minutes to complete tasks and return to cylinder exchange rack. Eliminating downtime from running out of fuel.

(Filter element = REF 126TA6244 )

REF [111TA3746](#)



REF [144TA3702](#) Dashboard LPG level indicator SRG NEW



REF [143TA7588](#) Dashboard LPG level indicator IMPCO/SRG

## ELECTRIC MAGNETIC CHOKE



REF [107TA9273](#) Choke LANDI HARTOG



REF [107TA9316](#) Choke BEDINI



REF [107TA9315](#) Choke IMPCO



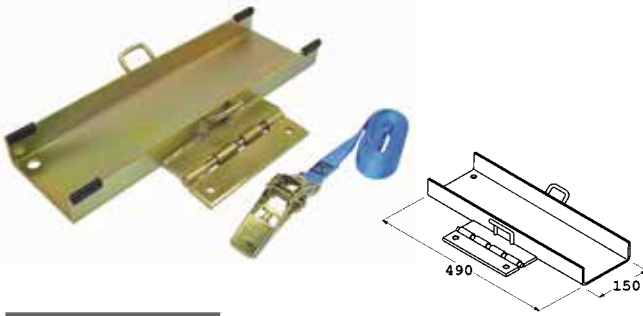
REF [107TA9125](#) Choke CENTURY



REF [136TA3011](#) Choke

ELECTRIC MAGNETIC CHOKE

## BRACKETS



REF [105TA4819](#) Length (L) = 490 mm  
 REF [107TA1728](#) Length (L) = 380 mm  
 Universal bracket, tilt forward



REF [107TA9652](#) Double bottle carrier



REF [107TA1727](#) Dia. 360 mm



REF [106TA2902](#) Dia. 300 - 320 mm



REF [106TA2900](#) Bracket used with REF [106TA2902](#)



REF [106TA2899](#) Toggle used with REF [106TA2902](#)



REF [106TA2903](#) Tilt bracket for LPG fuel tank  
 (REF [106TA2896](#))



REF [106TA2901](#) Quick change bracket for LPG fuel tank  
 (REF [106TA2896](#))

## BRACKETS



REF [143TA7605](#) Dia. 450 mm



REF [143TA7606](#) Double tilt bracket



REF [143TA7607](#) Dia. 360 mm



REF [143TA7608](#) Swing-down bracket, used for TOYOTA 7 series



REF [143TA7609](#) Swing-down bracket, used for DAEWOO / DOOSAN



REF [139TA5947](#) Swing-down bracket, dia. 300-320 mm

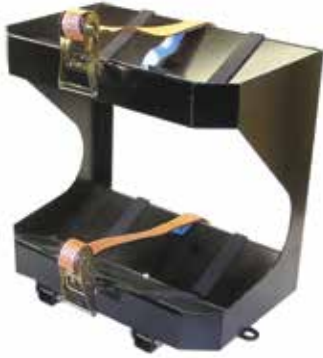


REF [143TA7610](#) Universal swing-down bracket with gas springs, length 660 mm



REF [143TA7611](#) Universal swing-down bracket with gas springs, length 770 mm

## BRACKETS



REF [122TA7592](#) Double bottle bracket



Nylon strap fastener, for all applications  
length: 5 m, width: 25 mm  
resistance: 400 kg

REF [105TA4855](#)



REF [143TA7613](#) Straps used for NISSAN, MITSUBISHI  
and CATERPILLAR



Nylon strap fastener  
capacity: 1000 kg, length: 95 cm

REF [105TA4856](#)



REF [106TA2910](#) Quick change bracket



REF [111TA3747](#) Tilt forward bracket dia. 320 mm



REF [111TA3748](#) Stand-up bracket dia. 320 mm



REF [144TA3703](#) Bracket for 40 L tanks



## BRACKETS

BRACKETS



REF [143TA7615](#) Used for NISSAN



REF [143TA7614](#) Used for TOYOTA

## LPG FUEL TANKS

### 36 L HOLLAND + BELGIUM

- Capacity 36 litres
- Dia. 300 mm x 720 mm length
- Pi-certificated



REF <a href="#">106TA2887</a>	HANSEN fitting & acme filler (80%) (picture)
REF <a href="#">106TA2888</a>	ROSS fitting & acme filler (80%)
REF <a href="#">107TA1719</a>	HANSEN fitting & bajonet filler (80%)
REF <a href="#">107TA1720</a>	ROSS fitting & bajonet filler (80%)

### FRANCE + BELGIUM

- Dia. 360 mm
- CE-certificated

REF <a href="#">106TA2891</a>	55 l	France
REF <a href="#">107TA1721</a>	55 l	Belgium (Equiped with ACME filler)
REF <a href="#">107TA1722</a>	70 l	France
REF <a href="#">112TA1148</a>	70 l	Belgium (Equiped with ACME filler)
REF <a href="#">107TA1723</a>	85 l	France
REF <a href="#">112TA1149</a>	85 l	Belgium (Equiped with ACME filler)
REF <a href="#">107TA1724</a>	100 l	France
REF <a href="#">112TA1150</a>	100 l	Belgium (Equiped with ACME filler)



### FRANCE + BELGIUM WITH ELECTRIC SHUT-OFF VALVE

- Dia. 360 mm
- CE-certificated

REF <a href="#">144TA3708</a>	55 l	France
REF <a href="#">144TA3709</a>	55 l	Belgium (Equiped with ACME filler)
REF <a href="#">144TA3710</a>	70 l	France
REF <a href="#">144TA3711</a>	70 l	Belgium (Equiped with ACME filler)
REF <a href="#">144TA3712</a>	85 l	France
REF <a href="#">144TA3713</a>	85 l	Belgium (Equiped with ACME filler)
REF <a href="#">144TA3714</a>	100 l	France
REF <a href="#">144TA3715</a>	100 l	Belgium (Equiped with ACME filler)



### TUV certified tanks for GERMANY

For Germany only

REF <a href="#">107TA1716</a>	36 l
REF <a href="#">107TA1717</a>	40 l
REF <a href="#">105TA4825</a>	55 l (picture)
REF <a href="#">107TA1718</a>	85 l



## LPG FUEL TANKS

### MANCHESTER - ALUMINIUM LPG TANK

#### REF [119TA9830](#)

- LPG capacity: 30,4 l
- Water capacity: 36 kg
- Collar diameter: 267 mm
- Height: 705 mm
- Fuel weight/full: 15,07 kg

Spare parts	REF
Male connector	<a href="#">106TA2876</a>
Liquid service	<a href="#">123TA2019</a>
Sight gauge	<a href="#">123TA2020</a>
Filler valve	<a href="#">107TA9350</a>



### MANCHESTER - STEEL LPG TANK

#### REF [119TA9832](#)

- LPG capacity: 30,40 l
- Water capacity: 36 kg
- Tare: 16,20 kg
- Collar diameter: 260 mm
- Height: 692 mm
- Fuel weight/full: 15,07 kg

#### REF [122TA7767](#)

- LPG capacity: 38 l
- Water capacity: 46,80 kg
- Tare: 19,35 kg
- Collar diameter: 260 mm
- Height: 846 mm
- Fuel weight/full: 19,57 kg

#### REF [119TA9834](#)

- LPG capacity: 30,40 l
- Water capacity: 36 kg
- Tare: 16,20 kg
- Collar diameter: 260,40 mm
- Height: 692,20 mm
- Fuel weight/full: 15,07 kg
- No filler valve on this model



Spare parts	REF
Male connector	<a href="#">106TA2876</a>
Liquid service	<a href="#">123TA2019</a>
Sight gauge	<a href="#">123TA2020</a>
Filler valve	<a href="#">107TA9350</a>

### This is an electronic system that offers safety when filling an LPG-tank

#### Advantages:

- Shuts off the engine when connecting the filling pistol
- Impossible to start the engine when filling pistol is connected
- Easy to mount

#### How it works:

When the receiver detects the filling pistol, it will send a signal to the electronical box and will cut-off the engine through the ignition circuit and through the contact circuit.

#### REF [123TA7324](#)



## TANK ACCESSORIES

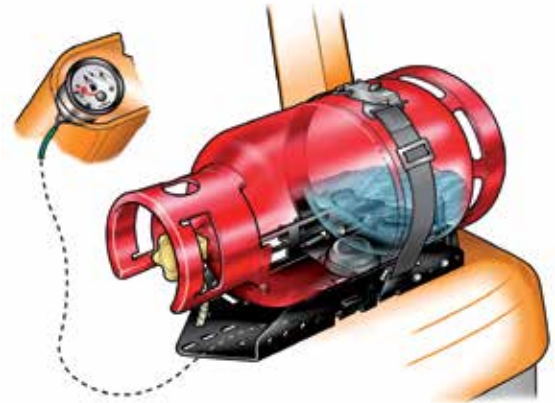
# Sonatic® Kit

Reliable LPG level measuring

Save up to hundreds of euros per year!

**Sonatic® Kit ensures a reliable fuel level measuring for your LPG powered forklift, thanks to a unique ultrasonic technique. Its advantages are numerous:**

- Extremely reliable measuring
- Accurate even when the lift truck is in motion
- Gauge is clearly visible for the driver
- Fits nearly every lift truck
- Warning LED for minimum level
- Remaining running time after displaying "empty" (LED illuminates): between 5 and 20 minutes (depending on forklift truck and driving)
- Bottles easily replaceable by means of straps
- Easy installation
- 1 year warranty on the product and its components
- Advantages for operators and logistic companies include:
  - eliminate operational disruptions
  - optimization of cylinder replacement and fuel consumption
  - prevent carrying of heavy fuel cylinders to increase employee comfort and safety
- Last but not least: thanks to an optimal use of your gas bottles, you will have recovered the cost of the Sonatic® kit in less than a year!



<p>A loss in working hours costs you: <b>More than € 600</b> per year per lift truck</p>	<p>A loss of LPG costs you: <b>More than € 500</b> per year per lift truck</p>	
<p>Presumption:</p> <ul style="list-style-type: none"> <li>• 2 unplanned work interruptions per week</li> <li>• extra loss of time by unexpected gas bottle replacement approx 10 min</li> <li>• labour cost lift truck driver € 35 per hour*</li> </ul> <p>* Average labour cost in EU</p>	<p>Presumption:</p> <ul style="list-style-type: none"> <li>• 5% remaining volume</li> <li>• € 2 per kg</li> <li>• Consumption 20 kg per day</li> <li>• 250 working days per year</li> </ul>	

## TANK ACCESSORIES

### Suitable for commercial LPG cylinders:

- Material: steel and aluminium
- Diameter: from 295 mm to 320 mm
- Maximum weight: up to 40 kg
- Content: propane, butane and their mixtures

### Fast and easy to install:

The Sonatic® Kit S and ST can be installed in approximately less than 90 minutes; the Sonatic® Kit B can be installed in less than 1 hour! The Sonatic® Kits can be installed during the routine maintenance by the service technician. All necessary parts are in the scope of delivery.



REF	Kit	Application	Dimensions	Weight
<a href="#">125TA4540</a> <a href="#">125TA4541</a>	<b>Sonatic® Kit S</b>	Standard	Kit S D300 (ø 295 - 310 mm) Kit S D310 (ø 307 - 320 mm)	ca. 10 kg
<a href="#">125TA4542</a> <a href="#">125TA4543</a>	<b>Sonatic® Kit ST</b>	For trucks with swiveling cabins/seats	Kit ST D300 (ø 295 - 310 mm) Kit ST D310 (ø 307 - 320 mm)	ca. 15 kg
<a href="#">125TA4544</a> <a href="#">125TA4545</a>	<b>Sonatic® Kit B</b>	In combination with existing bracket*	Kit B D300 (ø 300 - 310 mm) Kit B D310 (ø 307 - 320 mm)	ca. 1 kg

\* Bracket not included

Universally suitable for original equipment and retrofitting\*\*\*

... as well for forklift trucks with swiveling cabins/seats

Only in combination with existing bracket as shown in picture



### Sonatic® Kit S



#### Versions:

- **Sonatic® Kit S D300 (REF 125TA4540)**  
Diameter of the bottle: 295 mm - 310 mm  
Dimensions (L x W x H):  
630 mm x 307 mm x 390 mm
- **Sonatic® Kit S D310 (REF 125TA4541)**  
Diameter of the bottle: 307 mm - 320 mm  
Dimensions (L x W x H):  
630 mm x 327 mm x 410 mm

#### Scope of delivery

- Complete kit including
- Sonatic® FLT-sensor
  - Universal bracket
  - Fuel gauge
  - Wiring
  - Additional small parts for installation

### Sonatic® Kit ST



#### Versions:

- **Sonatic® Kit ST D300 (REF 125TA4542)**  
Diameter of the bottle: 295 mm - 310 mm  
Dimensions (L x W x H):  
630 mm x 307 mm x 417 mm
- **Sonatic® Kit ST D310 (REF 125TA4543)**  
Diameter of the bottle: 307 mm - 320 mm  
Dimensions (L x W x H):  
630 mm x 327 mm x 437 mm

#### Scope of delivery

- Complete kit including
- Sonatic® Kit S
  - Base plate with tilt device

### Sonatic® Kit B\*



#### Versions:

- **Sonatic® Kit B D300 (REF 125TA4544)**  
Diameter of the bottle: 300 mm - 310 mm  
Dimensions (L x W x H):  
280 mm x 143 mm x 10 mm
- **Sonatic® Kit B D310 (REF 125TA4545)**  
Diameter of the bottle: 307 mm - 320 mm  
Dimensions (L x W x H):  
280 mm x 143 mm x 10 mm

#### Scope of delivery


- Complete kit including
- Sonatic® FLT-Sensor
  - Positioning plate
  - Fuel gauge
  - Wiring
  - Additional small parts for installation

### Accessories (optional):

- Second strap  
Safety regulations may prescribe double strap fastening of tanks (e.g. in Australia). Please check requirements applicable to you.
- Instrument housing  
In case the gauge cannot be installed in the dashboard, screw it to the instrument panel using the surface-mounted instrument housing.
- 24 V light bulb  
In case your industrial truck has a 24 V onboard-supply, use the 24 V light bulb for gauge illumination.
- Compensating washer set  
In case your industrial truck has a sloping counterweight, use the compensating washer set to install the bracket horizontally.

\* bracket not included  
\*\*\* exchange of existing bracket

### Accessories (optional):

- Second strap  
 Safety regulations may prescribe double strap fastening of tanks (e.g. in Australia). Please check requirements applicable to you.
- Instrument housing  
In case the gauge cannot be installed in the dashboard, screw it to the instrument panel using the surface-mounted instrument housing.
- 24 V light bulb  
In case your industrial truck has a 24 V onboard-supply, use the 24 V light bulb for gauge illumination.
- Compensating washer set  
In case your industrial truck has a sloping counterweight, use the compensating washer set to install the bracket horizontally.

### Accessories (optional):

- Instrument housing  
In case the gauge cannot be installed in the dashboard, screw it to the instrument panel using the surface-mounted instrument housing.
- 24 V light bulb  
In case your industrial truck has a 24 V onboard-supply, use the 24 V light bulb for gauge illumination.



viaSonic

## TANK ACCESSORIES

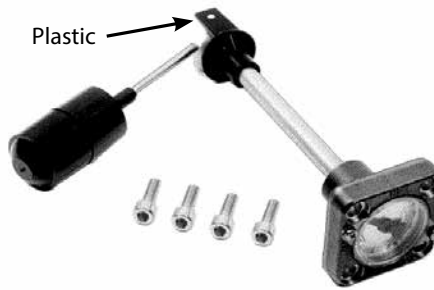


REF [127TA1036](#) Case LPG



REF [107TA9326](#) Case LPG for WVM tanks

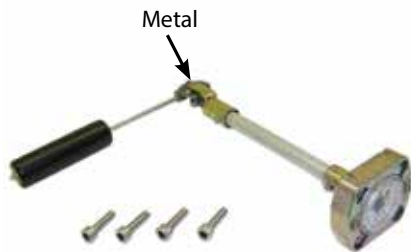
For tank dia.	Degrees	REF
270 mm	90°	<a href="#">107TA9317</a>
300 mm	52°	<a href="#">107TA9318</a>
300 mm	0°	<a href="#">107TA9319</a>
300 mm	75°	<a href="#">107TA9320</a>
300 mm	90°	<a href="#">107TA9321</a>
320 mm	52°	<a href="#">107TA9322</a>
360 mm	52°	<a href="#">105TA4831</a>



LPG fuel meter



REF [128TA4034](#) Seal  
REF [107TA9370](#) Indicator



REF [126TA6142](#) For tank dia. 360 mm - 52°  
REF [136TA3008](#) For tank dia. 300 mm - 90°  
LPG fuel meter (SRG)



REF [126TA6144](#) Sensor



REF [126TA6143](#) Indicator



REF [143TA7649](#) Level meter SRG new version  
dia. 300 mm, 90°



REF [143TA7652](#) Indicator SRG new version

## TANK ACCESSORIES



REF [143TA7650](#)

Level meter SRG new version  
dia. 300 mm, 0°



REF [143TA7651](#)

Level meter SRG new version  
dia. 360 mm, 52°



REF [106TA2938](#)

Filler 80% 3/8"  
For tanks dia. 265-375 mm // 45°-52°



REF [143TA7654](#)

ACME Filler 80 %  
For tanks dia. 265-375 mm // 45°-52°



REF [144TA3704](#)

Filler 80% 3/8"  
For tanks dia. 265-375 mm // 45°-52°



REF [143TA7657](#)

Mutter 1/4" x 1/2" NPTL



REF [143TA7656](#)

Gas bottle connection kit  
with olive seal



REF [143TA7659](#)

Connector with valve  
3/8" SAE Polish version

TANK ACCESSORIES



REF [107TA1737](#) ACME filler 3/8" for 80% filler



REF [111TA6205](#) Filler-EUROPE can be used with bajonet filler 7/8" UNF, fits in bajonet filler



REF [143TA7653](#) Filler France-Italy, 3/8" NPT



REF [107TA9324](#) Connector France-Italie 7/8" UNF, fits in ACME and bajonet filler



REF [107TA9389](#) Filler bajonet 80% For tanks 40 l dia. 300 mm // 0°



REF [107TA9355](#) Filler ACME 80% For tanks 40 l dia. 300 mm // 0°



REF [111TA6206](#) Filler bajonet 80% For tanks 36 l dia. 300 mm // 0°



REF [111TA6207](#) Filler ACME 80% For tanks 36 l dia. 300 mm // 0°



## TANK ACCESSORIES



REF [107TA9350](#)

Double check filter valve,  
3/4" NPT x 1" 3/4 ACME



REF [107TA9346](#)

Gasket filler cap for (REF [107TA9350](#))



REF [107TA9351](#)

3/4" NPT x 1/2" NPT L



REF [107TA9349](#)

Pol nut nipple  
1/2" NPT L x 1/4" NPT



REF [106TA2878](#)

Coupling (color) 1/4" NPT



REF [126TA6147](#)

TOTAL fitting Easyclip



REF [106TA2876](#)

Coupler-M  
(O-ring = REF [143TA7668](#))  
(Square o-ring = REF [131TA4681](#))



REF [107TA9347](#)

Quick connect coupling

## TANK ACCESSORIES



REF [107TA9333](#) 3/4" NPT, Ross-fitting



REF [107TA9332](#) 1/4" NPT used with (REF [107TA9333](#))

Seal = REF 107TA9387



REF [111TA9263](#) Connector with valve 3/8" SAE x M20

Seal = REF 107TA9387



REF [111TA9264](#) Connector with valve 5/16" SAE x M20



REF [107TA9329](#) 1/4" NPT



REF [107TA9330](#) 1/2" NPT L



REF [107TA9335](#) 1/2" NPT L



REF [107TA9334](#)  
with wings



REF [107TA9340](#) 1/4" NPT



REF [126TA6145](#)



REF [126TA6146](#)

## TANK ACCESSORIES

Seal = REF 136TA3176



**REF 106TA2943** 1/4" NPT Hansen female



**REF 106TA2940** 1/4" NPT Hansen male



**REF 105TA4830** 3/4" NPT x 1/2" JIC



**REF 107TA9342** 1" NPT safety valve for tank 25 Bar



**REF 144TA3705** 1/4" BSP



**REF 143TA7660** 1/4" BSP Hansen male



**REF 107TA9390** Bajonet filler



**REF 107TA9388** Adapter bajonet to fit on ACME filler plug (seal = REF 107TA9393)

## TANK ACCESSORIES



REF [111TA6209](#) Adapter to fit ACME filler France / Italy



REF [111TA6210](#) Electric valve for tanks 12 V



REF [107TA9356](#) Dust cap for ACME filler



REF [143TA7661](#) 3-way valve 5/16" SAE



REF [136TA3014](#) Dust cap for bajonet filler



REF [107TA9398](#) Safety relief valve 400 Psi



REF [143TA7662](#) Dust cap ACME filler



REF [143TA7663](#) Adapter totalfitting to 1/4" NPT

## TANK ACCESSORIES



REF [143TA7664](#) Valve, used for TOYOTA



REF [143TA7665](#) Side filler



REF [143TA7666](#) 3-way valve, used for LINDE



REF [143TA7667](#) 3-way valve, used for LINDE




REF [107TA9391](#) 3-way valve

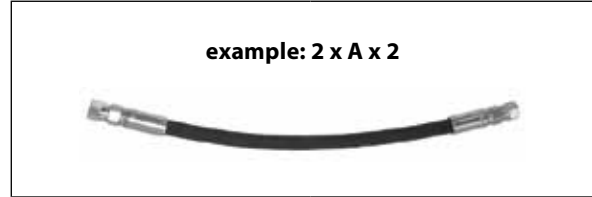


REF [143TA7711](#) 3-way valve electric

## HOSES AND FITTINGS

### GAS HOSE ASSEMBLIES - DIN 4815T4 - 5/16" (8 mm)

	<b>A</b>	500 mm
	<b>B</b>	750 mm
	<b>C</b>	1000 mm
	<b>D</b>	1250 mm
	<b>E</b>	1500 mm
	<b>F</b>	1750 mm
	<b>G</b>	2000 mm



Combination	REF
1 x B x 1 1 x D x 1 1 x E x 1 1 x F x 1	<a href="#">122TA7593</a> <a href="#">122TA7594</a> <a href="#">122TA7595</a> <a href="#">122TA7596</a>
1 x B x 3 1 x C x 3 1 x E x 3	<a href="#">107TA1706</a> <a href="#">107TA1707</a> <a href="#">107TA1708</a>
1 x A x 4 1 x B x 4 1 x C x 4	<a href="#">122TA7597</a> <a href="#">122TA7598</a> <a href="#">122TA7599</a>
2 x B x 1 2 x C x 1 2 x D x 1 2 x E x 1 2 x F x 1	<a href="#">107TA1702</a> <a href="#">107TA1703</a> <a href="#">107TA1704</a> <a href="#">107TA1705</a> <a href="#">106TA2870</a>
2 x A x 2 2 x B x 2 2 x C x 2 2 x D x 2 2 x E x 2 2 x F x 2	<a href="#">107TA1696</a> <a href="#">107TA1697</a> <a href="#">107TA1698</a> <a href="#">107TA1699</a> <a href="#">107TA1700</a> <a href="#">107TA1701</a>
4 x A x 4 4 x B x 4 4 x C x 4 4 x E x 4	<a href="#">122TA7600</a> <a href="#">122TA7601</a> <a href="#">122TA7602</a> <a href="#">122TA7603</a>
4 x B x 5	<a href="#">122TA7604</a>



1/4" NPT MALE



3/8" SAE (5/8" UNF)



3/8" SAE - 90°  
(5/8" UNF)



5/16" SAE (1/2" JIC)



5/16" SAE - 90°  
(1/2" JIC)

If your combination is not listed, please select end fitting and length and fax us your combination...

### GAS HOSE ASSEMBLIES - DIN 51622 - 3/8" (10 mm)

	<b>T</b>	500 mm
	<b>U</b>	750 mm
	<b>V</b>	1000 mm
	<b>W</b>	1250 mm
	<b>X</b>	1500 mm
	<b>Y</b>	1750 mm
	<b>Z</b>	2000 mm

Combination	REF
6 x V x 7 6 x X x 7	<a href="#">122TA7605</a> <a href="#">122TA7606</a>



3/4" JIC - 90°



5/8" JIC

## HOSES AND FITTINGS

### PLASTIC PROTECTIVE COIL SLEEVE



Inner diameter	REF per m
7 mm	<a href="#">106TA6455</a>
9 mm	<a href="#">106TA6456</a>
13 mm	<a href="#">106TA6457</a>
16 mm	<a href="#">106TA6458</a>
20 mm	<a href="#">106TA6459</a>
25 mm	<a href="#">106TA6460</a>
30 mm	<a href="#">106TA6461</a>
40 mm	<a href="#">106TA6462</a>
50 mm	<a href="#">106TA6463</a>

### STEEL PROTECTIVE COIL SPRING



Inner diameter	REF per m
13 mm	<a href="#">106TA6464</a>
15 mm	<a href="#">106TA6465</a>
17 mm	<a href="#">106TA6466</a>
19 mm	<a href="#">106TA6467</a>
21 mm	<a href="#">106TA6468</a>
23 mm	<a href="#">106TA6469</a>
26 mm	<a href="#">106TA6470</a>
29 mm	<a href="#">106TA6471</a>
33 mm	<a href="#">106TA6472</a>
41 mm	<a href="#">106TA6473</a>
48 mm	<a href="#">106TA6474</a>
54 mm	<a href="#">106TA6475</a>



REF [111TA6211](#) Rubber hose dia. 9 mm



REF [111TA6212](#) Rubber hose dia. 5,5 mm



REF [111TA6213](#) Rubber hose dia. 11 mm



REF [107TA3397](#) Rubber hose dia. 3/8"

HOSES AND FITTINGS



REF [106TA2946](#) 1/2" NPT x 5/8" 90°



REF [106TA2942](#) 3/8" NPT x 5/8" 90°



REF [106TA2941](#) 1/2" NPT x 5/8"



REF [107TA9254](#) 1/2" NPT x 1/2" 90°



REF [107TA9251](#) IMPCO fitting 1" NPT x 1" - 90° hose



REF [107TA9253](#) IMPCO fitting 1/8" NPT x 3/8" - 90°



REF [107TA9252](#) 1/8" NPT x 1/4" 90°



## HOSES AND FITTINGS



REF [107TA9343](#) Adapter: 1/8" NPT x 1/2" Hose



REF [107TA9323](#) Fitting 1/4" SAE flange 1/4" tube



REF [144TA3707](#) Fitting elbow 1/8" NPT x 1/8" NPT - 90°



REF [107TA9338](#) 1/8" NPT



REF [106TA2945](#) 3/8" NPT x 5/8"



REF [107TA9337](#) 1/4" NPT female x M10



REF [106TA2939](#) M10 x 5/16" JIC



REF [107TA9336](#) 5/8" JIC x M10

## HOSES AND FITTINGS



REF [107TA9345](#) 1/4" NPT x 5/8" JIC



REF [107TA9344](#) M10 x 7/16" JIC



REF [106TA2944](#) 1/4" NPT x M10



REF [111TA6214](#) Fitting 45°, 5/8" JIC x 1/4" NPT



REF [111TA6215](#) Fitting 90°, 5/8" JIC x 3/8" NPT



REF [111TA6216](#) Fitting 90°  
1/4" NPT female x 1/4" NPT male



REF [111TA6217](#) Fitting 90°, 1/2" JIC x 1/4" NPT



REF [143TA7648](#) T 1/4"NPT

## HOSES AND FITTINGS



REF [111TA6218](#) Fitting 1/4" NPT x 1/4" NPT



REF [111TA6219](#) Fitting 1/4" NPT x 1/4" NPT



REF [136TA3009](#) Converter temperature control 3/8"



REF [107TA9353](#) Dia. 16 mm - dia. 11 mm



REF [107TA9371](#) Dia. 16 mm - dia. 16 mm



REF [107TA9354](#) Sput-in M8



REF [107TA9352](#) Sput-in M10



REF [127TA1037](#) Thermostat, connection dia. 16 mm

## MISCELLANEOUS

### *As of now we print the labels for your machine in-house!*

You can find labels on all machines and products. As the demand for labels continues to grow each year, we have decided to start producing labels in-house. The production of the labels was started up in our sister company in America.

#### Design

The first step is the design of the labels. This design will be used to produce the labels. Usually we start from a sample of a label that has to be reproduced. This is the best way to make sure that the dimensions, colour and images are correct.

#### Production

After the design we start with the production of the labels: printing, cutting and plotting. With our plotters we perform complex cutting tasks on request, such as perforation, punching or finishing.

We can only accept orders for reproduction of your own design or images that are public property.



### *Labels & decals catalogue*

An overview of all available labels & decals in the following categories: kit, dashboard, fork, liquid, safety, tyres, capacity and miscellaneous.

**Please contact us to order your Labels & decals catalogue.**

REF 12594102



## MISCELLANEOUS



REF [123TA4938](#) Decal, width: 30 mm, height: 10 mm



REF [138TA1301](#) Decal, width: 80 mm, height: 35 mm



REF [123TA4940](#) Decal, diameter: 57 mm



REF [138TA3208](#) Decal, width: 20 mm, height: 50 mm



REF [138TA3375](#) Decal, diameter: 100 mm



REF [126TA9500](#) Decal, diameter: 50 mm



REF [126TA9498](#) Decal, diameter: 200 mm



REF [138TA3163](#) Decal, width: 28 mm, height: 76,5 mm

## MISCELLANEOUS



REF [138TA2383](#) Decal, width: 133 mm, height: 47 mm



REF [138TA8297](#) Decal, width: 148 mm, height: 148 mm



REF [138TA8295](#) Decal, width: 148 mm, height: 148 mm



REF [123TA5473](#) Decal, diameter: 50 mm

**LOCTITE**



REF [143TA3473](#) Sealing cords (50 m)

**LOCTITE**



REF [143TA3478](#) Thread sealant (100 ml) Loctite 5331

- For metal, general purpose
- Max thread size: M80/R3"
- Service temperature range: -55 to 150 °C
- Disassembly strength: medium
- Breakaway torque: 11 Nm
- Viscosity: 16 000 – 33 000 mPa.s
- General purpose sealant for alle coarse metal threads
- Suitable for fast applications at low temperatures, e.g. outdoor plant maintenance

REF [143TA3471](#) Pipe sealant with teflon (50 ml) Loctite 577

**LOCTITE**



## MISCELLANEOUS



REF [142TA3731](#)

11 piece double open ended wrench set-metric



REF [127TA7568](#)

Hi-torque hex nut spin 943 B x 7 mm

### JUBILEE CLIPS

Diameter				REF
Min	Max	Min	Max	
6 mm	16 mm	0,22"	0,62"	<a href="#">106TA2821</a>
10 mm	19 mm	0,44"	0,78"	<a href="#">106TA2822</a>
18 mm	31 mm	0,69"	1,25"	<a href="#">106TA2823</a>
21 mm	44 mm	0,81"	1,75"	<a href="#">106TA2824</a>
40 mm	63 mm	1,56"	2,50"	<a href="#">106TA2825</a>
52 mm	76 mm	2,06"	3,00"	<a href="#">106TA2826</a>
71 mm	95 mm	2,81"	3,75"	<a href="#">106TA2827</a>
90 mm	114 mm	3,56"	4,50"	<a href="#">116TA5593</a>
109 mm	133 mm	4,31"	5,25"	<a href="#">106TA2829</a>
130 mm	152 mm	5,12"	6,00"	<a href="#">106TA2830</a>
150 mm	171 mm	5,88"	6,75"	<a href="#">106TA2831</a>



REF [143TA7784](#)

Cable shoe set

MISCELLANEOUS

EAR CLIPS

- REF [142TA1401](#) Dia: 5-7 mm
- REF [142TA1402](#) Dia: 7-9 mm
- REF [142TA1403](#) Dia: 8,1-11 mm
- REF [142TA1404](#) Dia: 10,8-13 mm
- REF [142TA1405](#) Dia: 12,5-15 mm
- REF [142TA1406](#) Dia: 16,2-20 mm
- REF [142TA1407](#) Dia: 19-23 mm
- REF [142TA1408](#) Dia: 26,3-31 mm
- REF [142TA1409](#) Dia: 29,3-34 mm



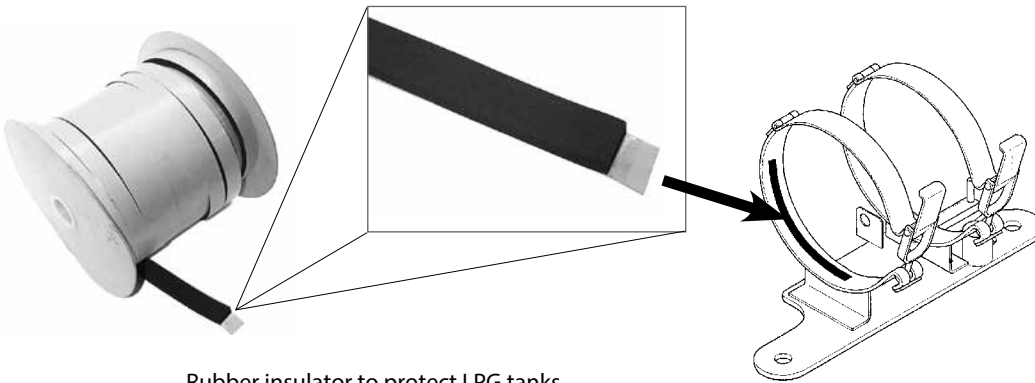
REF [142TA1400](#) Special pliers for ear clips



REF [107TA1712](#) Leak detector (400 ml)  
Aerosol spray for quick gas leak detection



REF [107TA1713](#) Teflon tape



REF [107TA1714](#) Rubber insulator to protect LPG tanks  
(per metre) section (20 x 10 mm)



REF [107TA9325](#) Plate feedpump



REF [142TA3339](#) Pipe cutter



## MISCELLANEOUS

**BOTTLE GRABBER**

No more back pain from lifting LPG bottles.  
For all kinds of LPG bottles.

REF [107TA1738](#)

**COMBUSTIBLE GAS LEAK DETECTOR**

Perfectly suitable to locate gas leaks in the installation area. By means of the flexible sensor neck, the sensor can be introduced in areas difficult to access. More advantages, of the easy handling, are the compact case, the integrated power supply and the well legible display.

The freely programmable alarm thresholds will be indicated via sonic signal and flashing display.

Measuring data can be saved in the internal memory or printed via the integrated IR interface.

**FEATURES**

- Indication in ppm, % or LEL
- 20 measurements can be stored, max value and average value
- Range: 5 - 20 000 ppm
- Alarm: acoustic signal and flashing display
- Threshold freely programmable
- Power supply, 2x batteries, LR6 AA
- +/- 8 hours continuous operation
- Dimensions: 84 x 139 x 24 mm
- Weight: 230 g

REF [122TA7539](#)



## MISCELLANEOUS

**CARBON MONOXIDE ANALYZER**

The CO-analyzer is a hand-held instrument designed to locate CO in ambient air as well as stack gases. The continuous sampling instrument quickly and accurately measures levels of CO between 0 and 2.000 ppm. This is also available in a high range version (0-85.000 ppm) for vehicle emission testing and forklift tuning.

**FEATURES**

- Quickly measures and displays low levels of CO 0-2.000 ppm
- Measures in increments of 1 ppm
- Multi-purpose strap for easy holding
- Probe and hose assembly for flue gas testing
- Highly visible digital display with backlight

**TYPICAL APPLICATIONS**

- CO safety checks on combustion stack gas and ambient air levels
- Analyzing indoor air quality and safety
- Furnance and boiler servicing or replacement
- BAM verifies CO exposure

REF [106TA6390](#)

## MISCELLANEOUS

### CO MEASUREMENT ON FORKLIFT TRUCKS

The exhaust gas analyzer IM 1100F is designed to measure exhaust gases of LPG forklifts. The analyzer measures the Carbon Monoxide CO content in volume percent as requested by European and worldwide regulations. The measured CO value can be saved or printed.

The analyzer comes complete with a flexible probe, IR-printer (only IM1100F-SET), additional printer paper (only IM1100F-SET) and a carrying case.

The flexible probe, which fits in most exhaust pipes, is inserted into the exhaust pipe and a clamp holds it in place.

Measuring exhaust gases is not only important to help control pollutants like CO, but it also helps optimizing fuel efficiency and therefore saving costs.



### FEATURES

- 3-line, illuminated LCD
- Printout with date and time
- Flexible sampling probe
- Carrying case
- Manual
- Memory (50 measurements)
- IR-Interface
- Condensation trap with filter
- AA-Batteries, 3 pcs.
- Calibration protocol

### TECHNICAL DATA

- Carbon Monoxide CO
- Range: 0 - 9,999 Vol.%
- Resolution: 0.001 Vol.%
- Flexible Gas Sampling probe
- Operating temperature: -10°C-50°C; 10-90% RH non condensing
- Battery: 3x AA Batteries
- Dimensions: 200 x 90 x 60 mm
- Weight: 500 g



### OPTIONAL

#### IR Printer

- 4x AA Batteries
- 1x Paper
- Magnetic back



#### Gas Leak Detector CD100A

- Flexible gooseneck, 45cm
- "Tip Light" in sensor cover
- Adjustable tick rate
- Audio & visual alarm
- Headphone jack



#### Modified Soot Pump

- Modified for forklift trucks
- Comparison scale / filter paper
- Lubricant & wrench



#### Densitometer IM900

- Measures soot spots with one decimal (x.x) as requested by many regulations



REF [143TA7862](#)

**IM1100F Analyzer, flexible gas sampling probe, carrying case**

REF [143TA7863](#)

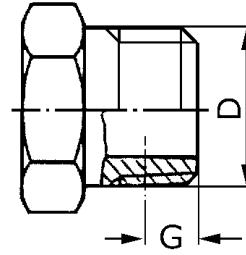
**IM1100F-SET as above, but with IR printer**

Warranty: 3 years / 2 years on sensors

## THREAD SIZES

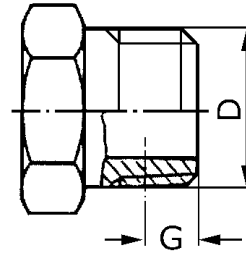
### BSP-THREADS

Dia./Inch	Dia.	STEP
1/8"	9,72	28
1/4"	13,15	19
3/8"	16,66	19
1/2"	20,95	14
3/4"	26,44	14
1"	33,24	11
1" 1/4	41,91	11
1" 1/2	47,8	11
2"	59,61	11



### NPT-THREADS

Dia./Inch	Dia.	STEP
1/8"	10,24	27
1/4"	13,61	18
3/8"	17,05	18
1/2"	21,22	14
3/4"	26,56	14
1"	33,22	11 1/2
1" 1/4	41,98	11 1/2
1" 1/2	48,05	11 1/2
2"	60,09	11 1/2



### CONNECTION SYSTEMS JIC 37° / SAE 45°

JIC 37°	SAE 45°	THREAD	d1 mm	d2 mm
3/16"	3/16"	3/8-24	9,5	8,6
1/4"	1/4"	7/16-20	11,1	10,0
5/16"	5/16"	1/2-20	12,7	11,6
3/8"		9/16-18	14,3	13
	3/8"	5/8-18	15,9	14,7
1/2"	1/2"	3/4-16	19,1	17,6
5/8"	5/8"	7/8-14	22,2	20,5
3/4"		1.1/16-12	27,0	25,0
	3/4"	1.1/16-14	27,0	25,3
7/8"		1.3/16-12	30,1	28,3
1"		1.5/16-12	33,3	31,3
1" 1/4		1.5/8-12	41,3	39,2
1" 1/2		1.7/8-12	47,6	45,6
2"		2.1/2-12	63,5	61,5

