

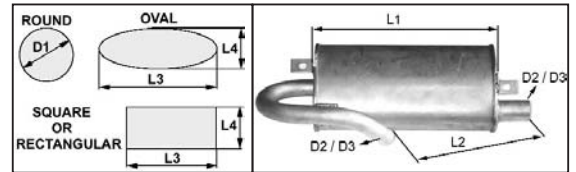


# MUFFLERS

For all our latest catalogue updates and company info: [www.tvh.com](http://www.tvh.com)

MUFFLERS

used for: **OM PIMESPO**



Type muffler	Length (mm) L1	Dimension (mm) L2	Body dimension (mm) dia. D1 or L3 x L4	Smallest outer dia. tube (mm) D2	Largest outer dia. tube (mm) D3	REF
Oval	245	305	122 X 90	40	45	<a href="#">105TA6782</a>
Oval	245	350	125 X 86	40	40	<a href="#">105TA6657</a>
Oval	270	430	120 X 100	38	41	<a href="#">105TA6744</a>
Oval	270	450	120 X 90	40	40	<a href="#">105TA6706</a>
Oval	270	500	120 X 90	40	40	<a href="#">104TA5808</a>
Oval	350	370	210 X 140	38	38	<a href="#">139TA1596</a>
Oval	350	380	215 X 135	38	38	<a href="#">139TA1597</a>
Oval	350	380	220 X 140	38	38	<a href="#">139TA1598</a>
Oval	350	380	220 X 140	38	38	<a href="#">139TA1599</a>
Oval	350	425	312 X 170	50	55	<a href="#">134TA7972</a>
Oval	350	705	220 X 140	38	42	<a href="#">139TA1600</a>
Oval	480	710	227 X 121	50	55	<a href="#">123TA9882</a>



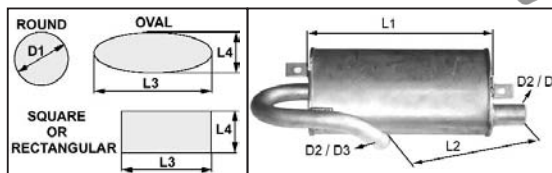
# MUFFLERS

For all our latest catalogue updates and company info: [www.tvh.com](http://www.tvh.com)

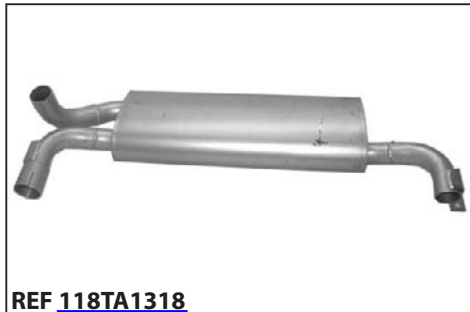


MUFFLERS

used for: **OM PIMESPO**



Type muffler	Length (mm) L1	Dimension (mm) L2	Body dimension (mm) dia. D1 or L3 x L4	Smallest outer dia. tube (mm) D2	Largest outer dia. tube (mm) D3	REF
Oval	480	710	228 X 118	50	55	<a href="#">110TA8585</a>
Oval	500	717	187 X 99	45	50	<a href="#">118TA1318</a>
Oval	500	750	190 X 100	45	49	<a href="#">105TA6709</a>
Round	292	550	169	35	46	<a href="#">139TA1601</a>
Round	295	280	210	38	40	<a href="#">139TA1602</a>
Round	297	345	201	34	42	<a href="#">139TA1603</a>
Round	300	320	168	38	38	<a href="#">139TA1604</a>
Round	300	490	170	35	46	<a href="#">139TA1605</a>
Round	300	565	175	35	45	<a href="#">139TA4631</a>
Round	300	580	170	35	47	<a href="#">139TA1606</a>
Round	300	600	173	35	46	<a href="#">139TA1607</a>
Round	300	650	190	35	47	<a href="#">139TA1608</a>

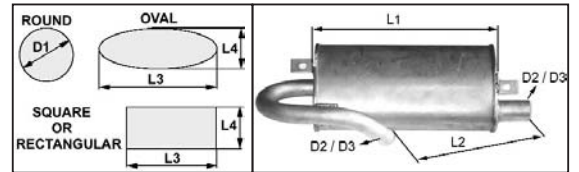




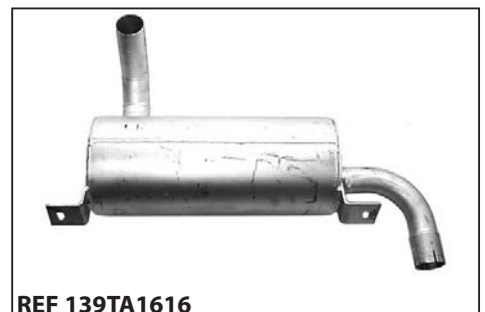
# MUFFLERS

For all our latest catalogue updates and company info: [www.tvh.com](http://www.tvh.com)

used for: **OM PIMESPO**



Type muffler	Length (mm) L1	Dimension (mm) L2	Body dimension (mm) dia. D1 or L3 x L4	Smallest outer dia. tube (mm) D2	Largest outer dia. tube (mm) D3	REF
Round	330	320	140	34	37	<a href="#">139TA1609</a>
Round	340	210	160	43	46	<a href="#">139TA1610</a>
Round	350	385	200	51	56	<a href="#">118TA1352</a>
Round	395	635	166	51	51	<a href="#">139TA1611</a>
Round	400	640	175	48	51	<a href="#">139TA1612</a>
Round	400	720	180	48	51	<a href="#">139TA1613</a>
Round	418	645	204	52	55	<a href="#">139TA1614</a>
Round	420	590	190	51	55	<a href="#">139TA1615</a>
Round	420	640	175	51	54	<a href="#">139TA1616</a>
Round	420	660	180	49	51	<a href="#">139TA1617</a>
Round	420	670	190	51	55	<a href="#">139TA1618</a>
Round	423	372	216	53	60	<a href="#">139TA1619</a>



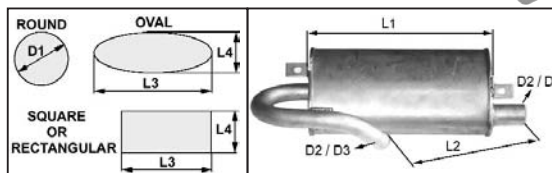
# MUFFLERS

For all our latest catalogue updates and company info: [www.tvh.com](http://www.tvh.com)



MUFFLERS

used for: **OM PIMESPO**



Type muffler	Length (mm) L1	Dimension (mm) L2	Body dimension (mm) dia. D1 or L3 x L4	Smallest outer dia. tube (mm) D2	Largest outer dia. tube (mm) D3	REF
Round	423	645	172	48	51	<a href="#">139TA1620</a>
Round	427	710	202	51	56	<a href="#">139TA1621</a>
Round	440	290	100	34	38	<a href="#">139TA1622</a>
Round	450	250	143	35	38	<a href="#">139TA1623</a>
Round	450	545	152	42	47	<a href="#">139TA1624</a>
Round	470	285	100	38	39	<a href="#">139TA1625</a>
Round	500	620	133	45	50	<a href="#">139TA4632</a>
Round	500	710	90	64	64	<a href="#">139TA1626</a>
Round	500	885	220	76	93	<a href="#">139TA1627</a>
Round	500	920	220	51	55	<a href="#">139TA1628</a>
Round	505	610	130	46	49	<a href="#">104TA5880</a>
Round	510	530	139	49	51	<a href="#">139TA1629</a>





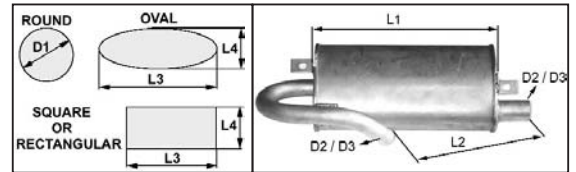


# MUFFLERS

For all our latest catalogue updates and company info: [www.tvh.com](http://www.tvh.com)

MUFFLERS

used for: **OM PIMESPO**



Type muffler	Length (mm) L1	Dimension (mm) L2	Body dimension (mm) dia. D1 or L3 x L4	Smallest outer dia. tube (mm) D2	Largest outer dia. tube (mm) D3	REF
Round	548	685	152	50	56	<a href="#">105TA6820</a>
Round	550	690	200	61	69	<a href="#">139TA1630</a>
Round	605	700	153	50	55	<a href="#">134TA8144</a>
Round	640	370	150	70	70	<a href="#">104TA5836</a>
Round	640	910	190	56	59	<a href="#">105TA6722</a>
Round	650	100	150	50	54	<a href="#">104TA5858</a>
Round	660	940	160	49	60	<a href="#">105TA6670</a>
Round	785	1170	45	40	43	<a href="#">105TA6737</a>
Round	795	1080	80	50	54	<a href="#">105TA6655</a>
Round	802	1090	80	45	50	<a href="#">105TA6788</a>
Round	940	1100	70	49	54	<a href="#">139TA4633</a>
Rectangular	500	1045	112 X 112	41	46	<a href="#">139TA1631</a>



REF [105TA6820](#)



REF [139TA1630](#)



REF [134TA8144](#)



REF [104TA5836](#)



REF [105TA6722](#)



REF [104TA5858](#)



REF [105TA6670](#)



REF [105TA6737](#)



REF [105TA6655](#)



REF [105TA6788](#)



REF [139TA4633](#)



REF [139TA1631](#)