

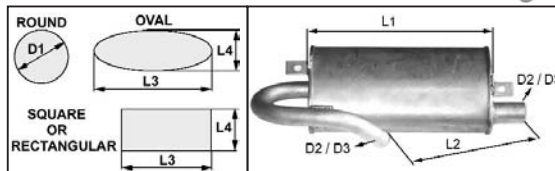
# MUFFLERS

For all our latest catalogue updates and company info: [www.tvh.com](http://www.tvh.com)



MUFFLERS

used for: **HYSTER**



Type muffler	Length (mm) L1	Dimension (mm) L2	Body dimension (mm) dia. D1 or L3 x L4	Smallest outer dia. tube (mm) D2	Largest outer dia. tube (mm) D3	REF
Oval	320	490	350 X 160	50	67	<a href="#">104TA5955</a>
Oval	455	85	210 X 140	51	52	<a href="#">134TA8000</a>
Oval	455	435	185 X 135	48	52	<a href="#">124TA7566</a>
Oval	485	455	205 X 128	49	51	<a href="#">105TA6832</a>
Oval	490	580	210 X 120	55	56	<a href="#">104TA5770</a>
Oval	510	80	210 X 120	50	55	<a href="#">139TA4593</a>
Oval	667	827	380 X 250	106	106	<a href="#">118TA1354</a>
Oval	840	985	258 X 160	76	80	<a href="#">139TA1505</a>
Oval	1100	220	280 X 130	68	70	<a href="#">104TA5831</a>
Round	258	145	206	41	41	<a href="#">134TA8049</a>
Round	285	515	190	43	43	<a href="#">139TA4594</a>
Round	300	177	145	42	42	<a href="#">134TA7897</a>



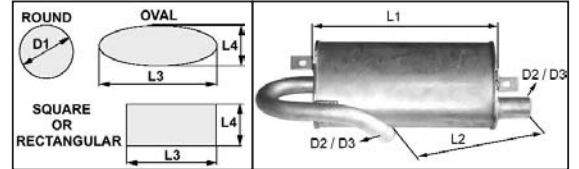


# MUFFLERS

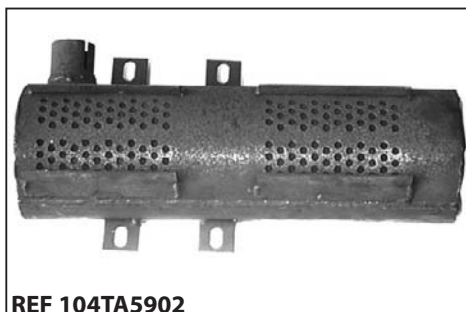
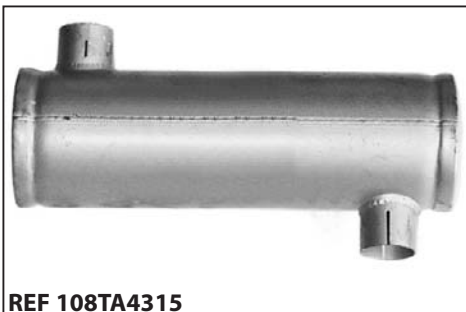
For all our latest catalogue updates and company info: [www.tvh.com](http://www.tvh.com)

MUFFLERS

used for: **HYSTER**



Type muffler	Length (mm) L1	Dimension (mm) L2	Body dimension (mm) dia. D1 or L3 x L4	Smallest outer dia. tube (mm) D2	Largest outer dia. tube (mm) D3	REF
Round	300	260	145	42	42	<a href="#">134TA7804</a>
Round	300	385	125	76	76	<a href="#">134TA8052</a>
Round	300	400	165	35	38	<a href="#">104TA5745</a>
Round	300	425	145	42	42	<a href="#">134TA7899</a>
Round	305	270	155	41	48	<a href="#">134TA7593</a>
Round	305	380	130	75	76	<a href="#">104TA5789</a>
Round	310	270	100	40	40	<a href="#">108TA4315</a>
Round	320	110	140	37	56	<a href="#">104TA5773</a>
Round	328	335	164	38	47	<a href="#">139TA4596</a>
Round	360	0	155	42	0	<a href="#">139TA1507</a>
Round	370	0	115	39	0	<a href="#">104TA5902</a>
Round	370	140	179	48	48	<a href="#">108TA8869</a>



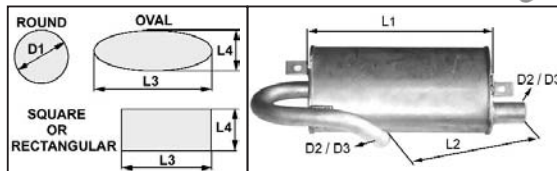
# MUFFLERS

For all our latest catalogue updates and company info: [www.tvh.com](http://www.tvh.com)

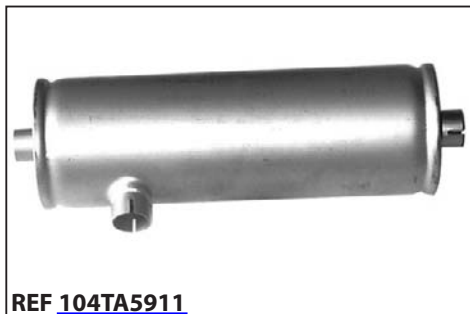
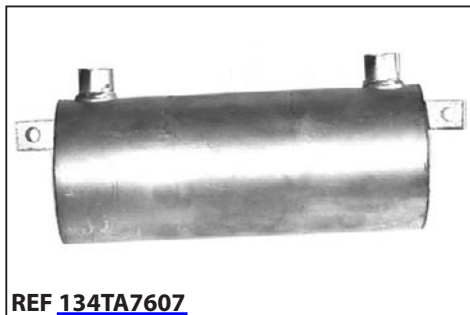
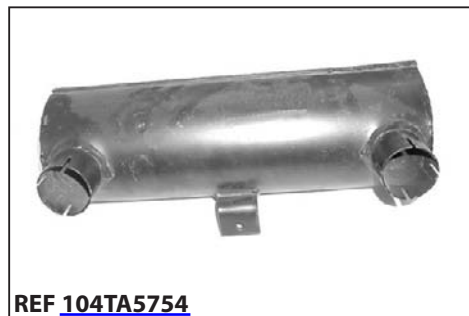


MUFFLERS

used for: **HYSTER**



Type muffler	Length (mm) L1	Dimension (mm) L2	Body dimension (mm) dia. D1 or L3 x L4	Smallest outer dia. tube (mm) D2	Largest outer dia. tube (mm) D3	REF
Round	370	230	120	35	38	<a href="#">105TA6756</a>
Round	375	125	230	42	42	<a href="#">134TA7844</a>
Round	375	260	205	42	42	<a href="#">139TA4601</a>
Round	380	120	185	42	42	<a href="#">105TA6680</a>
Round	380	195	190	42	42	<a href="#">104TA5881</a>
Round	380	255	127	51	51	<a href="#">104TA5754</a>
Round	380	260	130	52	52	<a href="#">104TA5953</a>
Round	380	270	150	36	36	<a href="#">134TA7607</a>
Round	380	270	170	35	36	<a href="#">104TA5738</a>
Round	380	275	160	36	36	<a href="#">104TA5903</a>
Round	380	320	130	36	36	<a href="#">104TA5911</a>
Round	380	320	140	36	36	<a href="#">104TA5936</a>



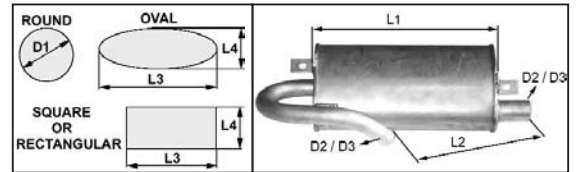


# MUFFLERS

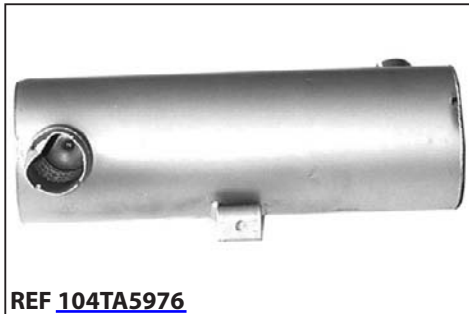
For all our latest catalogue updates and company info: [www.tvh.com](http://www.tvh.com)

MUFFLERS

used for: **HYSTER**



Type muffler	Length (mm) L1	Dimension (mm) L2	Body dimension (mm) dia. D1 or L3 x L4	Smallest outer dia. tube (mm) D2	Largest outer dia. tube (mm) D3	REF
Round	380	330	140	35	35	<a href="#">104TA5930</a>
Round	380	340	130	52	52	<a href="#">104TA5976</a>
Round	382	267	152	42	42	<a href="#">110TA9633</a>
Round	382	329	126	41	41	<a href="#">108TA4333</a>
Round	383	120	199	42	42	<a href="#">106TA6311</a>
Round	383	370	127	50	51	<a href="#">118TA1346</a>
Round	383	430	126	41	42	<a href="#">110TA8563</a>
Round	385	0	155	41	0	<a href="#">124TA7181</a>
Round	385	270	164	35	35	<a href="#">105TA6789</a>
Round	385	335	127	35	36	<a href="#">108TA4346</a>
Round	390	265	120	38	39	<a href="#">104TA5966</a>
Round	400	40	216	55	0	<a href="#">139TA1508</a>



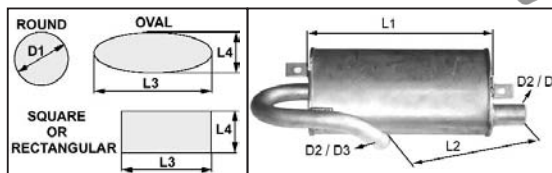
# MUFFLERS

For all our latest catalogue updates and company info: [www.tvh.com](http://www.tvh.com)



MUFFLERS

used for: **HYSTER**



Type muffler	Length (mm) L1	Dimension (mm) L2	Body dimension (mm) dia. D1 or L3 x L4	Smallest outer dia. tube (mm) D2	Largest outer dia. tube (mm) D3	REF
Round	400	325	200	54	54	<a href="#">134TA8090</a>
Round	400	340	215	55	55	<a href="#">134TA7778</a>
Round	400	400	180	44	55	<a href="#">104TA5885</a>
Round	400	490	180	44	54	<a href="#">104TA5796</a>
Round	400	490	180	55	55	<a href="#">134TA7944</a>
Round	400	600	208	44	54	<a href="#">123TA6029</a>
Round	403	328	179	44	47	<a href="#">108TA4288</a>
Round	410	25	140	48	55	<a href="#">105TA6688</a>
Round	410	350	125	42	42	<a href="#">139TA4603</a>
Round	410	390	255	54	54	<a href="#">139TA4602</a>
Round	412	390	255	54	54	<a href="#">139TA4604</a>
Round	447	827	180	50	55	<a href="#">124TA7565</a>



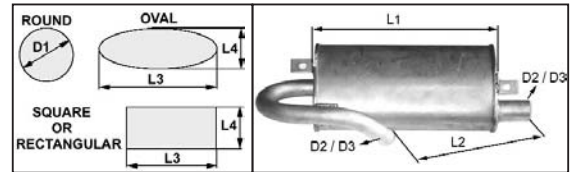


# MUFFLERS

For all our latest catalogue updates and company info: [www.tvh.com](http://www.tvh.com)

MUFFLERS

used for: **HYSTER**



Type muffler	Length (mm) L1	Dimension (mm) L2	Body dimension (mm) dia. D1 or L3 x L4	Smallest outer dia. tube (mm) D2	Largest outer dia. tube (mm) D3	REF
Round	455	170	168	51	55	<a href="#">105TA6781</a>
Round	510	25	155	48	55	<a href="#">104TA5931</a>
Round	510	490	155	49	63	<a href="#">134TA8064</a>
Round	515	415	123	54	55	<a href="#">110TA8544</a>
Round	600	680	154	100	100	<a href="#">134TA8125</a>
Round	660	1010	100	44	48	<a href="#">124TA7568</a>
Round	690	1060	75	50	55	<a href="#">139TA4606</a>
Round	755	845	130	44	51	<a href="#">104TA5989</a>
Round	760	840	130	54	54	<a href="#">104TA5783</a>
Round	765	910	167	75	92	<a href="#">110TA8542</a>
Round	825	930	150	54	54	<a href="#">104TA5895</a>
Round	880	1020	76	42	56	<a href="#">106TA7340</a>



REF [105TA6781](#)



REF [104TA5931](#)



REF [134TA8064](#)



REF [110TA8544](#)



REF [134TA8125](#)



REF [124TA7568](#)



REF [139TA4606](#)



REF [104TA5989](#)



REF [104TA5783](#)



REF [110TA8542](#)



REF [104TA5895](#)



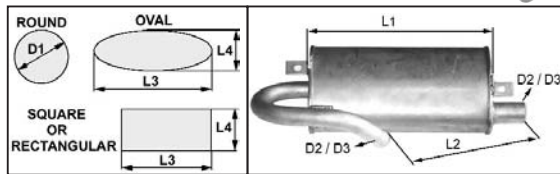
REF [106TA7340](#)

# MUFFLERS



For all our latest catalogue updates and company info: [www.tvh.com](http://www.tvh.com)

used for: **HYSTER**



MUFFLERS

Type muffler TY	Length (mm) L1	Dimension (mm) L2	Body dimension (mm) dia. D1 or L3 x L4	Smallest outer dia. tube (mm) D2	Largest outer dia. tube (mm) D3	REF
Round	1068	1224	193	75	93	<a href="#">110TA8551</a>
Round	1073	1110	90	43	49	<a href="#">106TA6308</a>
Round	1120	870	195	67	68	<a href="#">104TA5981</a>
Round	1130	1295	230	106	106	<a href="#">104TA5950</a>
Round	1133	1300	228	105	105	<a href="#">110TA8564</a>



Look up  
these parts via