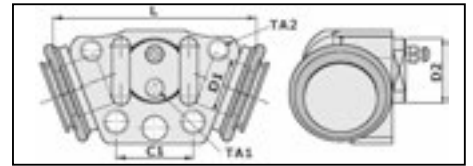


WHEEL BRAKE CYLINDERS

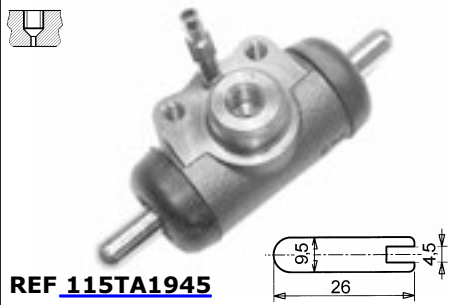
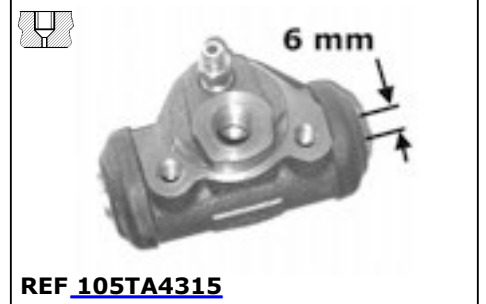
For all our latest catalogue updates and company info: www.tvh.com

WHEEL BRAKE CYLINDERS

used for: **FIAT-OM PIMESPO**



| piston diameter (inch) D1 | number of mounting holes AT-MG | dimension (mm) L | dimension (mm) D2 | thread inlet TA1 | dimension (mm) C1 | thread mounting holes TA2 | type of oil OLIE | reference |
|---------------------------|--------------------------------|------------------|-------------------|------------------|-------------------|---------------------------|------------------|---------------------------|
| 3/4 | 2 | 40 | 0 | M10 X 1 | 0 | M6 X 1 | brake fluid | 115TA1942 |
| 3/4 | 2 | 47 | 22 | M10 X 1 | 21 | M6 X 1 | brake fluid | 115TA1943 |
| 3/4 | 2 | 57 | 30 | M10 X 1,25 | 35 | M6 X 1 | brake fluid | 105TA4315 |
| 3/4 | 2 | 58 | 30 | M10 X 1,25 | 35 | M6 X 1 | brake fluid | 115TA1944 |
| 3/4 | 2 | 72 | 36 | M10 X 1 | 36 | M6 X 1 | brake fluid | 106TA4300 |
| 7/8 | 2 | 58 | 30 | M10 X 1,25 | 35 | M6 X 1 | brake fluid | 106TA4200 |
| 7/8 | 2 | 60 | 22 | M10 X 1 | 30 | M6 X 1 | brake fluid | 115TA1945 |
| 7/8 | 2 | 60 | 22 | M10 X 1 | 30 | M6 X 1 | brake fluid | 105TA4173 |
| 7/8 | 2 | 60 | 22 | M10 X 1 | 30 | M6 X 1 | brake fluid | 124TA7471 |
| 7/8 | 2 | 68 | 0 | 3/8 UNF X 24 | 47 | 1/4 UNF X 24 | brake fluid | 123TA8916 |
| 7/8 | 2 | 68 | 0 | 3/8 UNF X 24 | 47 | 1/4 UNF X 24 | brake fluid | 124TA7419 |
| 15/16 | 2 | 60 | 22 | M10 X 1 | 30 | M6 X 1 | brake fluid | 122TA8704 |



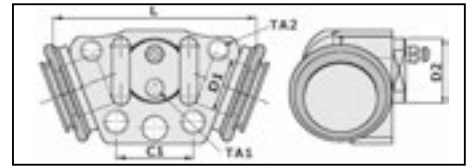
WHEEL BRAKE CYLINDERS

For all our latest catalogue updates and company info: www.tvh.com

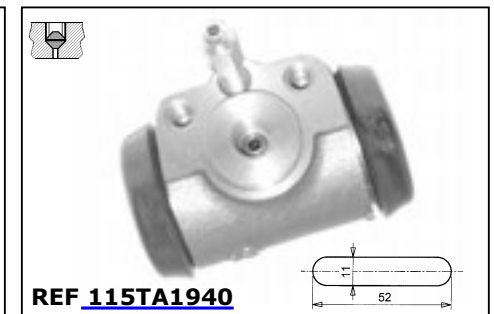
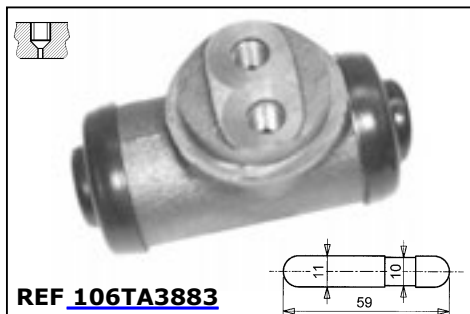
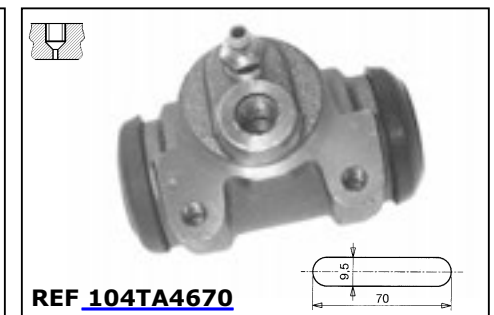
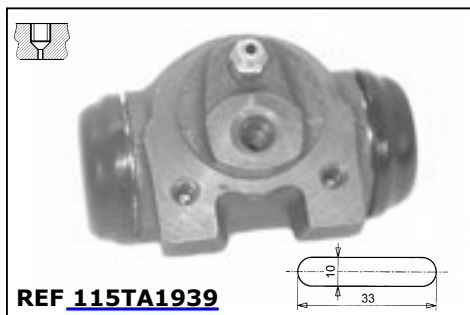
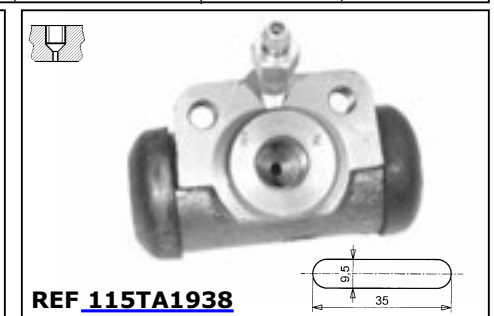
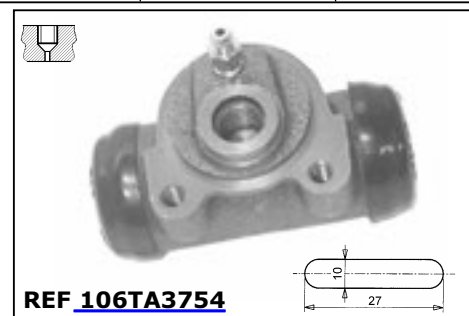


WHEEL BRAKE CYLINDERS

used for: **FIAT-OM PIMESPO**



| piston diameter (inch) D1 | number of mounting holes AT-MG | dimension (mm) L | dimension (mm) D2 | thread inlet TA1 | dimension (mm) C1 | thread mounting holes TA2 | type of oil OLIE | reference |
|---------------------------|--------------------------------|------------------|-------------------|------------------|-------------------|---------------------------|------------------|---------------------------|
| 15/16 | 2 | 60 | 22 | M10 X 1 | 30 | M6 X 1 | brake fluid | 105TA4296 |
| 1 | 2 | 68 | 36 | M12 X 1,5 | 36 | M6 X 1 | brake fluid | 106TA3754 |
| 1 | 2 | 73 | 30 | M14 X 1,5 | 38 | M8 X 1,25 | brake fluid | 115TA1938 |
| 1 | 2 | 73 | 30 | M14 X 1,5 | 38 | M8 X 1,25 | brake fluid | 106TA4126 |
| 1 | 2 | 73 | 30 | M14 X 1,5 | 38 | M8 X 1,25 | brake fluid | 122TA8705 |
| 1 1/16 | 2 | 81 | 36 | M12 X 1,25 | 50 | M6 X 1 | brake fluid | 104TA4613 |
| 1 1/8 | 2 | 68 | 36 | M10 X 1,25 | 36 | M6 X 1 | brake fluid | 115TA1939 |
| 1 1/8 | 2 | 68 | 36 | M10 X 1,25 | 36 | M6 X 1 | brake fluid | 122TA8706 |
| 1 1/4 | 2 | 86 | 41 | M12 X 1,25 | 48 | M8 X 1,25 | brake fluid | 104TA4670 |
| 1 3/8 | 0 | 86 | 44,5 | 7/16 UNF X 20 | 0 | | brake fluid | 106TA3883 |
| 1 3/8 | 2 | 73 | 30 | M12 X 1 | 38 | M8 X 1,25 | brake fluid | 105TA4070 |
| 1 3/8 | 2 | 73 | 30 | M12 X 1 | 38 | M8 X 1,25 | brake fluid | 115TA1940 |

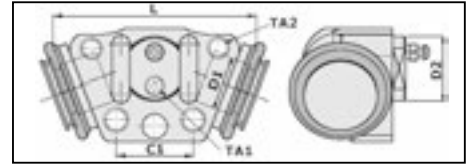


WHEEL BRAKE CYLINDERS

For all our latest catalogue updates and company info: www.tvh.com

WHEEL BRAKE CYLINDERS

used for: **FIAT-OM PIMESPO**



| piston diameter (inch) D1 | number of mounting holes AT-MG | dimension (mm) L | dimension (mm) D2 | thread inlet TA1 | dimension (mm) C1 | thread mounting holes TA2 | type of oil OLIE | reference |
|---------------------------|--------------------------------|------------------|-------------------|------------------|-------------------|---------------------------|------------------|---------------------------|
| 1 3/8 | 2 | 90 | 45 | M14 X 1,5 | 48 | M8 X 1,25 | brake fluid | 106TA3853 |
| 1 3/4 | 4 | 89 | 45 | M14 X 1,5 | 52 | M10 X 1,5 | brake fluid | 104TA4763 |
| | | | | | | | | |
| | | | | | | | | |
| | | | | | | | | |
| | | | | | | | | |
| | | | | | | | | |
| | | | | | | | | |
| | | | | | | | | |
| | | | | | | | | |
| | | | | | | | | |
| | | | | | | | | |
| | | | | | | | | |
| | | | | | | | | |
| | | | | | | | | |
| | | | | | | | | |
| | | | | | | | | |
| | | | | | | | | |
| | | | | | | | | |

