

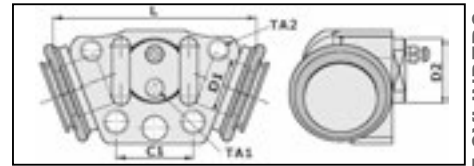
WHEEL BRAKE CYLINDERS

For all our latest catalogue updates and company info: www.tvh.com

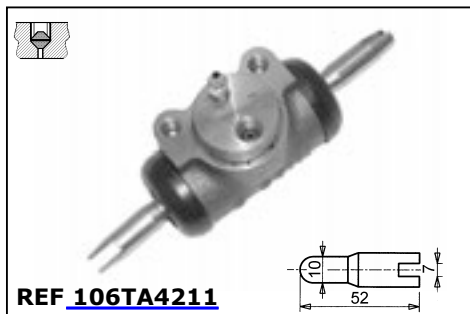
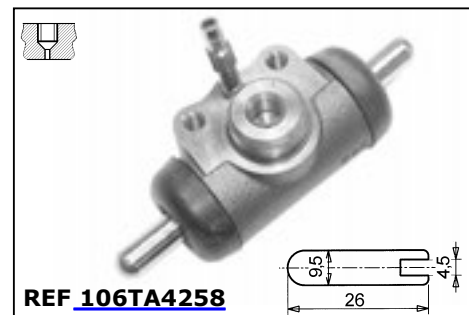


WHEEL BRAKE CYLINDERS

used for: **FENWICK & PEG**



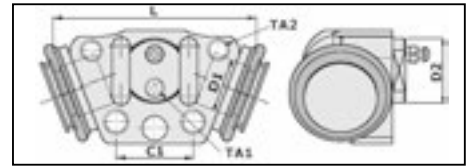
piston diameter (inch) D1	number of mounting holes AT-MG	dimension (mm) L	dimension (mm) D2	thread inlet TA1	dimension (mm) C1	thread mounting holes TA2	type of oil OLIE	reference
3/4	2	56	32	3/8 UNF X 24	31	M6 X 1	brake fluid	104TA4468
13/16	2	70	19	3/8 UNF X 24	32	1/4 UNC X 20	brake fluid	106TA4297
7/8	2	54	32	3/8 UNF X 24	25	M6 X 1	brake fluid	106TA4230
7/8	2	54	32	3/8 UNF X 24	25	M6 X 1	brake fluid	123TA8686
7/8	2	57	30	M10 X 1,25	35	M6 X 1	brake fluid	104TA4523
7/8	2	59	0	7/16 UNF X 20	32,5		brake fluid	105TA4180
7/8	2	59	32	M10 X 1	32	M6 X 1	brake fluid	106TA4237
7/8	2	60	22	M10 X 1	30	M6 X 1	brake fluid	106TA4258
7/8	2	60	22	M10 X 1	30	M6 X 1	brake fluid	105TA4174
7/8	2	73	34	M10 X 1	44	M8 X 1,25	brake fluid	106TA4211
15/16	2	66	32	3/8 UNF X 24	25	M6 X 1	brake fluid	104TA4562
15/16	2	66	32	3/8 UNF X 24	25	M6 X 1	brake fluid	105TA4179



WHEEL BRAKE CYLINDERS

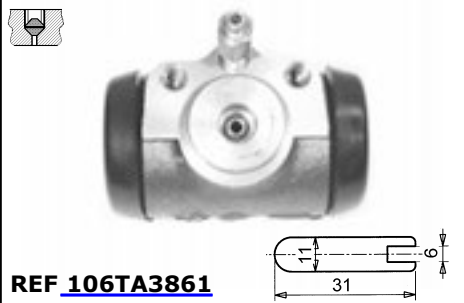
For all our latest catalogue updates and company info: www.tvh.com

used for: **FENWICK & PEG**



WHEEL BRAKE CYLINDERS

piston diameter (inch) D1	number of mounting holes AT-MG	dimension (mm) L	dimension (mm) D2	thread inlet TA1	dimension (mm) C1	thread mounting holes TA2	type of oil OLIE	reference
15/16	2	68	36	M10 X 1	36	M6 X 1	brake fluid	104TA4568
1	2	68	36	7/16 UNF X 20	36	M6 X 1	brake fluid	106TA4156
1	2	68	36	3/8 UNF X 24	36	M6 X 1	brake fluid	106TA4080
1	2	80	23	7/16 UNF X 20	25		brake fluid	104TA4600
1 1/8	2	78	36	7/16 UNF X 20	36	M6 X 1	brake fluid	104TA4617
1 1/8	2	78	36	7/16 UNF X 20	36	M6 X 1	brake fluid	104TA4616
1 1/4	2	68	36	7/16 UNF X 20	36	M6 X 1	brake fluid	124TA7440
1 1/4	2	86	41	1/2 UNF X 20	47,5	5/16 UNC X 18	brake fluid	104TA4683
1 1/4	2	120	48	1/2 UNF X 20	54	3/8 UNC X 16	brake fluid	104TA4774
1 3/8	4	82	38	1/2 UNF X 20	47,5	5/16 UNC X 18	brake fluid	124TA7479
1 3/8	2	73	30	M12 X 1	38	M8 X 1,25	brake fluid	106TA3861
1 3/8	2	95	45	1/2 UNF X 20	54	3/8 UNC X 16	brake fluid	105TA4192

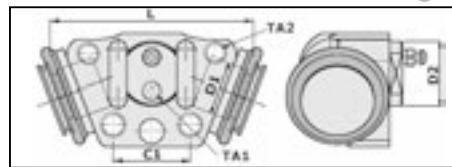


WHEEL BRAKE CYLINDERS



For all our latest catalogue updates and company info: www.tvh.com

used for: **FENWICK & PEG**



WHEEL BRAKE CYLINDERS

piston diameter (inch) D1	number of mounting holes AT-MG	dimension (mm) L	dimension (mm) D2	thread inlet TA1	dimension (mm) C1	thread mounting holes TA2	type of oil OLIE	reference
1 3/8	3	83	38	7/16 UNF X 20	48	5/16 UNC X 18	brake fluid	105TA4139
1 3/8	3	83	38	7/16 UNF X 20	48	5/16 UNC X 18	brake fluid	105TA4065
1 3/8	4	83	38	1/2 UNF X 20	48	5/16 UNC X 18	brake fluid	104TA4705
1 1/2	2	86	41	1/2 UNF X 20	48	5/16 UNC X 18	brake fluid	105TA4300
1 7/8	2	110	44	7/16 UNF X 20	70	5/16 UNC X 18	brake fluid	106TA3757

