

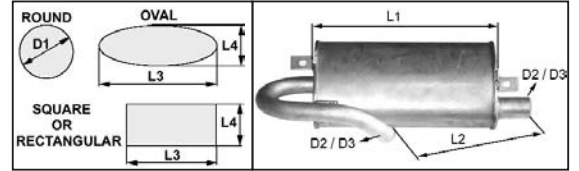


MUFFLERS

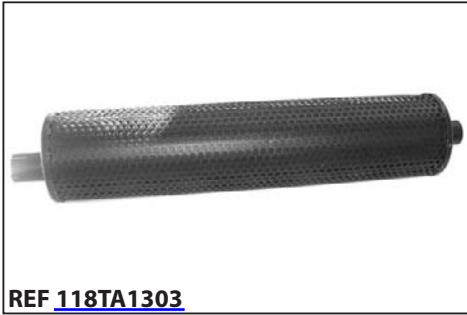
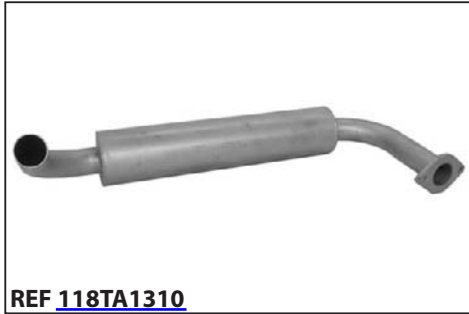
For all our latest catalogue updates and company info: www.tvh.com

MUFFLERS

used for: **COVENTRY CLIMAX**



Type muffler TY	Length (mm) L1	Dimension (mm) L2	Body dimension (mm) dia. D1 or L3 x L4	Smallest outer dia. tube (mm) D2	Largest outer dia. tube (mm) D3	REF
Round	455	550	120	51	54	118TA1282
Round	460	640	95	47	48	118TA1310
Round	700	810	100	48	48	104TA5753
Round	700	815	152	48	48	118TA1303
Round	760	960	180	42	51	134TA8033
Round	835	818	110	48	61	118TA1278



Look up
these parts via