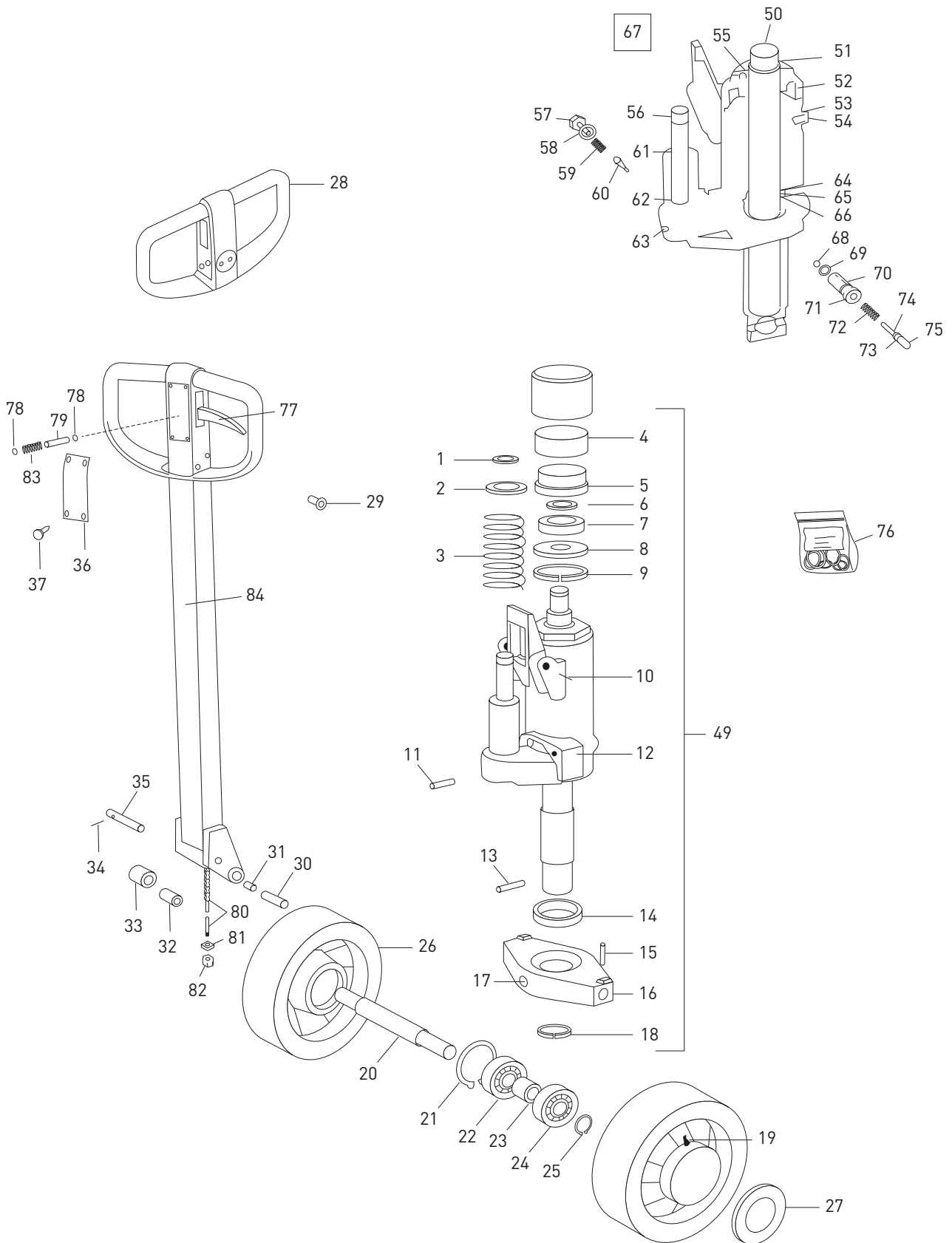




LHM230 (3121000-32999999)

## HYDRAULIC UNIT BT LHM230 (3121000-32999999)





## HYDRAULIC UNIT BT LHM230 (3121000-32999999)

Nr	Description	Qty	REF
1	Circlip	1	<a href="#">107TA6580</a>
2	Cap, control handle pivot return spring	1	<a href="#">107TA6581</a>
3	Spring, control handle return torsion	1	<a href="#">105TA4608</a>
4	Insert	1	<a href="#">107TA6582</a>
5	Housing, bearing	1	<a href="#">107TA6583</a>
6	Circlip	1	<a href="#">107TA6584</a>
7	Ball bearing	1	<a href="#">107TA6585</a>
8	Washer (nylon) (thickness: 3 mm)	1	<a href="#">107TA6586</a>
9	Circlip	1	<a href="#">107TA6587</a>
10	Lock pin	2	<a href="#">107TA6588</a>
11	Lock pin	1	<a href="#">107TA6589</a>
12	Lever lift control	1	<a href="#">107TA6590</a>
13	Lock pin	1	<a href="#">107TA6591</a>
14	Bearing, hydraulic unit pivot	1	<a href="#">106TA6779</a>
15	Circlip	2	<a href="#">107TA6592</a>
16	Thrust plate, hydraulic pump unit mounting	1	<a href="#">106TA6781</a>
17	Grease nipple	1	<a href="#">107TA6593</a>
18	Circlip	1	<a href="#">107TA6595</a>
19	Grease nipple	1	<a href="#">107TA6594</a>
20	Shaft, steer wheel	1	<a href="#">107TA6596</a>
21	Circlip	2	<a href="#">107TA6597</a>
22	Ball bearing	2	<a href="#">107TA3175</a>
23	Bushing	2	<a href="#">123TA6139</a>
24	Ball bearing	2	<a href="#">107TA3175</a>
25	Circlip	2	<a href="#">107TA6600</a>
26A	Wheel assembly, steer (rubber)	2	<a href="#">107TA6601</a>
26B	Wheel assembly, steer (polyurethane) (nylon rim)	2	<a href="#">107TA6606</a>
26C	Wheel assembly, steer (nylon)	2	<a href="#">107TA6605</a>
26D	Wheel assembly, steer (steel)	2	<a href="#">123TA6140</a>
27	Cap, front wheel hub	2	<a href="#">122TA7004</a>
28	Lowering lever	1	<a href="#">123TA6141</a>
29	Rivet	4	<a href="#">123TA6142</a>
30	Axle	1	<a href="#">107TA6618</a>
31	Bushing, handle pivot	2	<a href="#">123TA6143</a>
32	Bushing, control handle pump roller	1	<a href="#">107TA6625</a>
33	Roller, control handle pump	1	<a href="#">107TA6621</a>
34	Lock pin	1	<a href="#">123TA6144</a>
35	Pin, control handle pump roller	1	<a href="#">107TA6619</a>

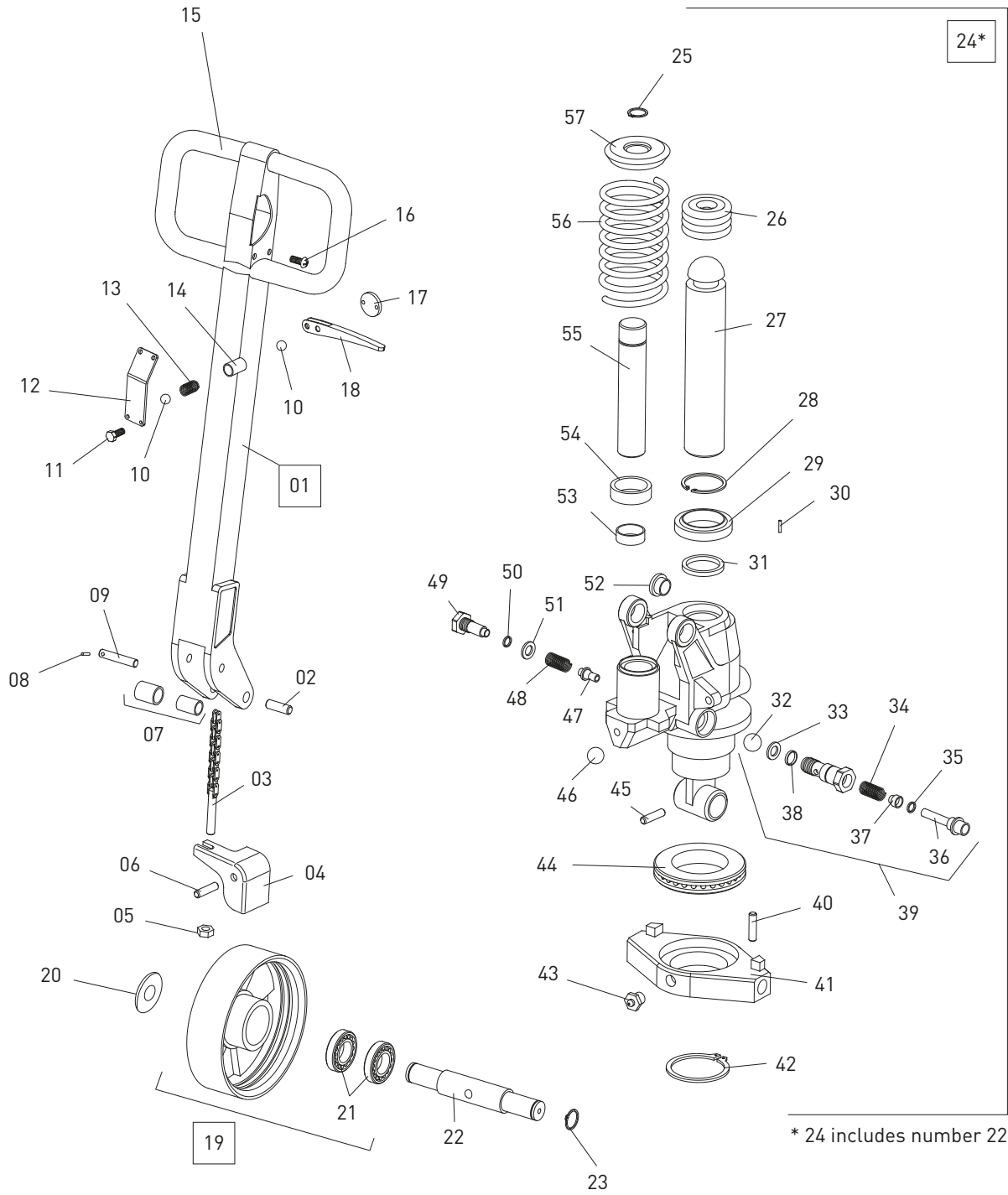
Nr	Description	Qty	REF
36	Cover, tiller head	1	<a href="#">123TA6145</a>
37	Screw	4	<a href="#">123TA6146</a>
49	Hydraulic unit	1	<a href="#">107TA6626</a>
50	Piston, lift cylinder pallet truck	1	<a href="#">107TA6627</a>
51	Body, hydraulic pump unit piston	1	<a href="#">107TA6628</a>
52	O-ring	1	<a href="#">107TA6629</a>
53	Washer (synthetic) (thickness: 4 mm)	1	<a href="#">107TA6630</a>
54	Screw	1	<a href="#">107TA6631</a>
55	Oil seal	1	<a href="#">107TA6632</a>
56	Piston, hydraulic pump unit	1	<a href="#">107TA6634</a>
57	Screw	1	<a href="#">107TA6635</a>
58	Washer (copper) (thickness: 2,5 mm)	1	<a href="#">105TA1188</a>
59	Spring (valve)	1	<a href="#">107TA6636</a>
60	Plunger valve	1	<a href="#">107TA6637</a>
61	Oil seal	1	<a href="#">107TA6638</a>
62	Circlip	1	<a href="#">107TA6640</a>
63	Steel ball	1	<a href="#">107TA6641</a>
64	Circlip	1	<a href="#">107TA6642</a>
65	Turning (bronze)	1	<a href="#">107TA6643</a>
66	Lip seal	1	<a href="#">107TA6644</a>
67A	Hydraulic unit	1	<a href="#">107TA6645</a>
67B	Hydraulic unit	1	<a href="#">107TA6647</a>
67C	Seal kit (valve unit)	1	<a href="#">107TA6648</a>
68	Steel ball	1	<a href="#">107TA6641</a>
69	Washer (copper) (thickness: 1,4 mm)	1	<a href="#">105TA1358</a>
70	O-ring	1	<a href="#">107TA6649</a>
71	Valve housing	1	<a href="#">107TA6650</a>
72	Spring	1	<a href="#">107TA6651</a>
73	Lip seal	1	<a href="#">107TA6652</a>
74	Guide	1	<a href="#">107TA6653</a>
75	Plunger, valve	1	<a href="#">106TA7043</a>
76	Kit seal, hydraulic unit	1	<a href="#">107TA6576</a>
77	Lever lowering, tiller	1	<a href="#">123TA6147</a>
78	Steel ball	2	<a href="#">107TA6613</a>
79	Bushing (without collar)	1	<a href="#">107TA6615</a>
80	Rod complete, lowering	1	<a href="#">107TA6622</a>
81	Spring	1	<a href="#">107TA6623</a>
82	Hexagonal nut	1	<a href="#">107TA6624</a>
83	Spring	1	<a href="#">107TA6614</a>
84	Handle assembly	1	<a href="#">123TA6150</a>

LHM230 (3121000-32999999)



LHM230 (3300000-)

## HYDRAULIC UNIT BT LHM230 (3300000-)





## HYDRAULIC UNIT BT LHM230 (3300000-)

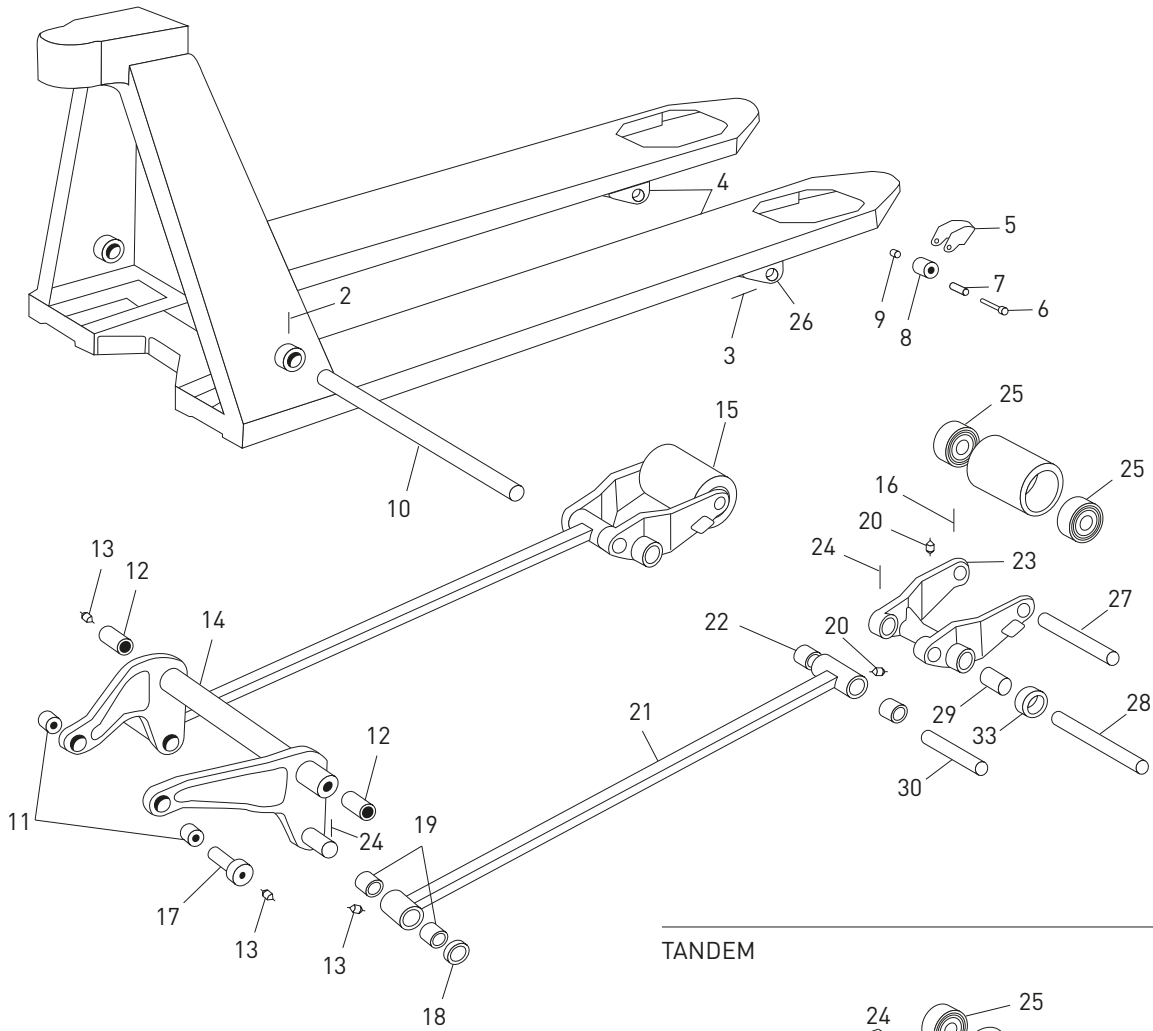
Nr	Description	Qty	REF
1	Handle assembly	1	<a href="#">128TA4680</a>
2	Axle	1	<a href="#">128TA4681</a>
3	Rod complete, lowering	1	<a href="#">128TA4682</a>
4	Lever lift control	1	<a href="#">128TA4683</a>
5	Hexagonal nut	1	<a href="#">107TA6624</a>
6	Elastic pin	1	<a href="#">128TA4684</a>
7	Roller kit, control handle pump	1	<a href="#">128TA4685</a>
8	Elastic pin	1	<a href="#">107TA6620</a>
9	Pin, control handle pump roller	1	<a href="#">107TA6619</a>
10	Steel ball	2	<a href="#">107TA6641</a>
11	Screw	4	<a href="#">123TA6146</a>
12	Cover, tiller head	1	<a href="#">123TA6145</a>
13	Spring	1	<a href="#">128TA4686</a>
14	Bushing	1	<a href="#">107TA6615</a>
15	Bracket, tiller arm	1	<a href="#">123TA6141</a>
16	Rivet	4	<a href="#">128TA4687</a>
17	Decal, make (bt) (round)	1	<a href="#">128TA4688</a>
18	Lever lowering, tiller	1	<a href="#">123TA6147</a>
19A	Wheel assembly, steer (nylon)	2	<a href="#">107TA6605</a>
19B	Wheel assembly, steer (polyurethane) (nylon rim)	2	<a href="#">107TA6606</a>
19C	Wheel assembly, steer (rubber)	2	<a href="#">107TA6601</a>
20	Cap, front wheel hub	2	<a href="#">122TA7004</a>
21	Bearing	4	<a href="#">124TA2111</a>
22	Shaft, steer wheel	1	<a href="#">128TA4689</a>
23	Circlip	2	<a href="#">107TA6600</a>
24	Hydraulic unit	1	<a href="#">128TA4690</a>
25	Circlip	1	<a href="#">107TA6580</a>
26	Sleeve	1	<a href="#">128TA4691</a>
27	Piston, lift cylinder pallet truck	1	<a href="#">128TA4692</a>
28	Circlip	1	<a href="#">128TA4693</a>
29	Oil seal	1	<a href="#">107TA6632</a>
30	Elastic pin	1	<a href="#">107TA6655</a>
31	Lip seal	1	<a href="#">128TA4694</a>
32	Steel ball	1	<a href="#">107TA6641</a>
33	Sealing ring (copper) (thickness: 0,9 mm)	1	<a href="#">128TA4695</a>
34	Spring	1	<a href="#">107TA6651</a>
35	Lip seal	1	<a href="#">107TA6652</a>
36	Plunger, valve	1	<a href="#">106TA7043</a>
37	Guide, spring	1	<a href="#">107TA6653</a>

Nr	Description	Qty	REF
38	O-ring	1	<a href="#">107TA6649</a>
39	Valve release, hydraulic unit	1	<a href="#">128TA4696</a>
40	Elastic pin	2	<a href="#">107TA6592</a>
41	Thrust plate, hydraulic pump unit mounting	1	<a href="#">128TA4697</a>
42	Circlip	1	<a href="#">128TA4698</a>
43	Grease nipple	1	<a href="#">107TA6594</a>
44	Bearing, hydraulic unit pivot	1	<a href="#">128TA4699</a>
45	Elastic pin	1	<a href="#">128TA4684</a>
46	Steel ball	1	<a href="#">107TA6641</a>
47	Valve plunger	1	<a href="#">128TA4700</a>
48	Spring	1	<a href="#">107TA6636</a>
49	Screw	1	<a href="#">128TA4701</a>
50	O-ring	1	<a href="#">128TA4702</a>
51	Bonded seal (steel) (height: 1,5 mm)	1	<a href="#">128TA4703</a>
52	Shaft, handle pivot	2	<a href="#">128TA4704</a>
53	Lip seal	1	<a href="#">128TA4705</a>
54	Oil seal	1	<a href="#">107TA6638</a>
55	Piston, hydraulic pump unit	1	<a href="#">128TA4706</a>
56	Spring, control handle return torsion	1	<a href="#">128TA4707</a>
57	Cap, control handle pivot return spring	1	<a href="#">128TA4708</a>
	Kit seal, hydraulic unit	1	<a href="#">128TA4709</a>
	Kit seal, hydraulic unit	1	<a href="#">128TA4710</a>
	Kit seal, hydraulic unit	1	<a href="#">128TA4711</a>

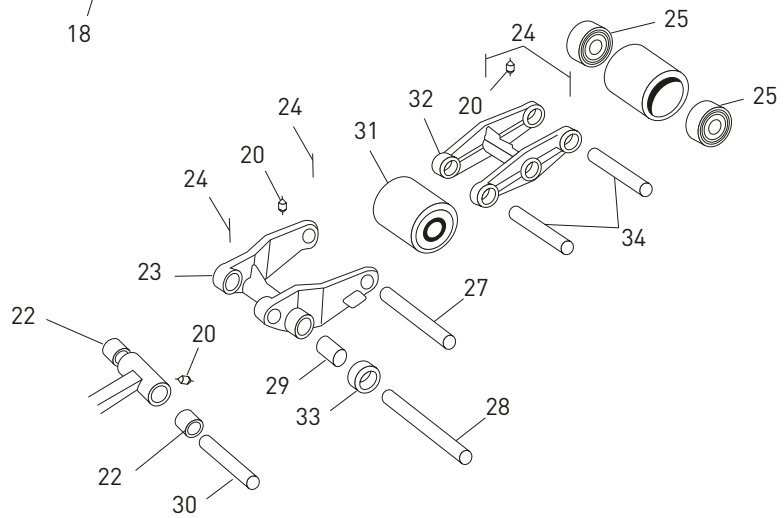


LHM230 (3121000-)

## MAIN FRAME BT LHM230 (3121000-)



TANDEM





### MAIN FRAME BT LHM230 (3121000-)

Nr	Description	Qty	REF
2	Lock pin	1	<a href="#">107TA6592</a>
3	Lock pin	4	<a href="#">107TA6655</a>
4	Ear	2	<a href="#">107TA6688</a>
5	Clamp	2	<a href="#">107TA6658</a>
6	Shaft/bolt, entry roller	2	<a href="#">107TA6659</a>
7	Spacer, entry roller	2	<a href="#">107TA6660</a>
8	Wheel, entry roller	2	<a href="#">107TA2891</a>
9	Hexagonal nut	2	<a href="#">107TA6661</a>
10	Shaft pivot, torsion tube	1	<a href="#">107TA6662</a>
11	Bushing, torsion tube to thrust plate	2	<a href="#">105TA1924</a>
12	Bushing, torsion tube pivot	2	<a href="#">105TA2177</a>
13	Grease nipple	2	<a href="#">107TA6594</a>
14	Torsion tube	1	<a href="#">107TA6663</a>
16	Lock pin	2	<a href="#">107TA6592</a>
17	Shaft, torsion tube to thrust plate	2	<a href="#">123TA6148</a>
18	Washer (thickness: 4,2 mm)	2	<a href="#">107TA6670</a>
19	Bushing, push/pull rod non fork end	4	<a href="#">107TA6671</a>
20	Grease nipple	8	<a href="#">107TA6594</a>
21	Push/pull rod assembly, lift structure	2	<a href="#">105TA4604</a>
22	Bushing, push/pull rod fork end	4	<a href="#">105TA2174</a>
23	Fork, bracket load wheel	2	<a href="#">106TA7393</a>
24	Lock pin	6	<a href="#">107TA6592</a>
25	Ball bearing	4	<a href="#">107TA6675</a>
26	Ear	2	<a href="#">107TA6688</a>
27	Shaft/bolt load wheel	2	<a href="#">107TA6677</a>
28	Shaft, fork load wheel bracket to chassis	2	<a href="#">107TA6679</a>
29	Bushing, fork load wheel bracket to chassis	4	<a href="#">105TA2175</a>
30	Shaft, push/pull rod fork end	2	<a href="#">107TA6681</a>
32	Fork, load wheel	2	<a href="#">107TA6684</a>
33	Wheel, exit roller	2	<a href="#">106TA7045</a>
34	Shaft/bolt load wheel	4	<a href="#">106TA7044</a>
15A	Wheel assembly, load (nylon) (single)	2	<a href="#">107TA2928</a>
15B	Wheel assembly, load (polyurethane) (nylon rim) (single)	2	<a href="#">107TA6667</a>
15C	Wheel assembly, load (Vulkollan®) (single)	2	<a href="#">107TA6668</a>
15D	Wheel assembly, load (steel) (single)	2	<a href="#">107TA6666</a>

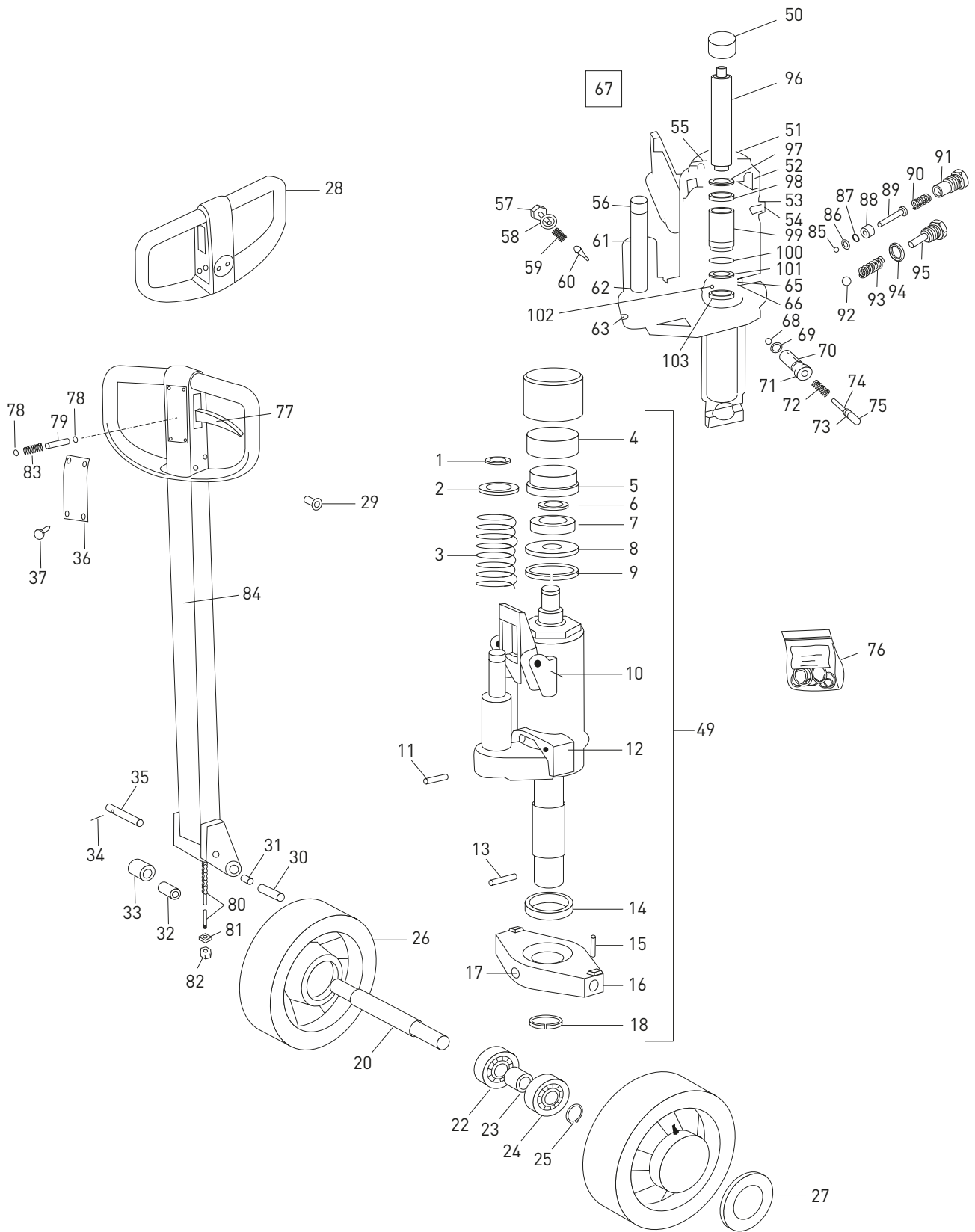
Nr	Description	Qty	REF
31A	Wheel assembly, load (nylon) (tandem)	4	<a href="#">107TA2936</a>
31B	Wheel assembly, load (Vulkollan®) (tandem)	4	<a href="#">107TA2788</a>
31C	Wheel assembly, load (steel) (tandem)	4	<a href="#">123TA6149</a>
31D	Wheel assembly, load	4	<a href="#">107TA6683</a>

LHM230 (3121000-)



LHM230 QUICK (-3299999)

## HYDRAULIC UNIT BT LHM230 QUICK (-3299999)





## HYDRAULIC UNIT BT LHM230 QUICK (-3299999)

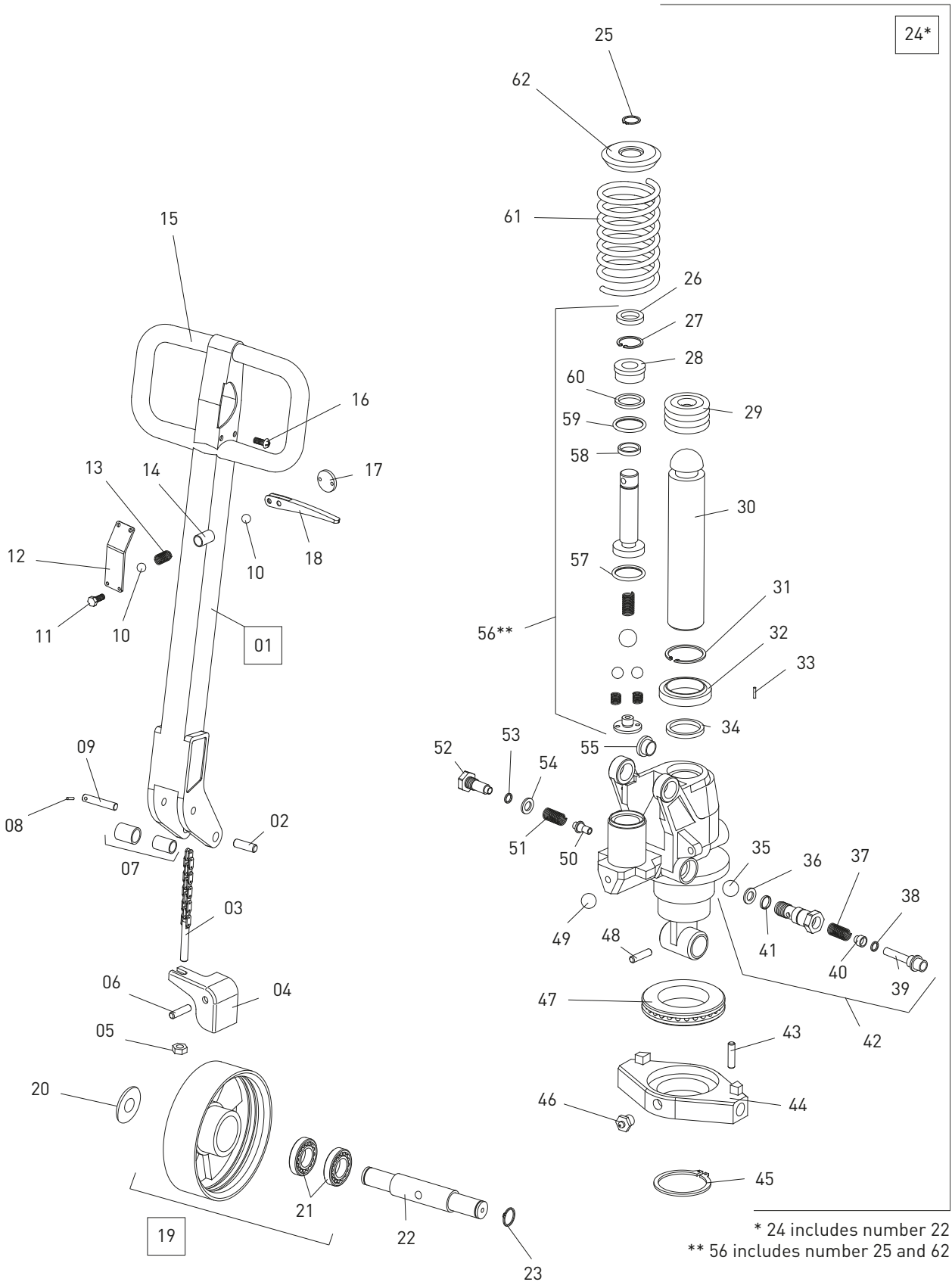
Nr	Description	Qty	REF
1	Circlip	1	<a href="#">107TA6580</a>
2	Turning	1	<a href="#">107TA6581</a>
3	Spring, control handle return torsion	1	<a href="#">105TA4608</a>
4	Insert	1	<a href="#">107TA6582</a>
5	Housing, bearing	1	<a href="#">124TA2108</a>
6	Circlip	1	<a href="#">107TA6584</a>
7	Ball bearing	1	<a href="#">107TA6585</a>
8	Shim (thickness: 3 mm)	1	<a href="#">107TA6586</a>
9	Circlip	1	<a href="#">107TA6587</a>
10	Elastic pin	2	<a href="#">107TA6588</a>
11	Elastic pin	1	<a href="#">124TA2109</a>
12	Lever lift control	1	<a href="#">107TA6590</a>
13	Elastic pin	1	<a href="#">124TA2109</a>
14	Bearing, hydraulic unit pivot	1	<a href="#">106TA6779</a>
15	Elastic pin	2	<a href="#">107TA6592</a>
16	Thrust plate, hydraulic pump unit mounting	1	<a href="#">106TA6781</a>
17	Grease nipple	1	<a href="#">107TA6594</a>
18	Circlip	1	<a href="#">107TA6595</a>
20	Shaft, steer wheel	1	<a href="#">107TA6596</a>
22	Ball bearing	1	<a href="#">124TA2111</a>
23	Bushing	2	<a href="#">123TA6139</a>
24	Ball bearing	1	<a href="#">124TA2111</a>
25	Circlip	2	<a href="#">107TA6600</a>
26A	Wheel assembly, steer (vulkolan)	2	<a href="#">107TA3102</a>
26B	Wheel assembly, steer (rubber)	2	<a href="#">107TA6601</a>
26C	Wheel assembly, steer (nylon)	2	<a href="#">107TA6605</a>
26D	Wheel assembly, steer (poly) (nylon core)	2	<a href="#">107TA6606</a>
27	Cap, front wheel hub	2	<a href="#">122TA7004</a>
28	Handle, tiller	1	<a href="#">123TA6141</a>
29	Rivet	4	<a href="#">123TA6142</a>
30	Shaft, handle pivot	2	<a href="#">107TA6618</a>
31	Bushing, handle pivot	2	<a href="#">123TA6143</a>
32	Bushing, control handle pump roller	1	<a href="#">107TA6625</a>
33	Roller, control handle pump	1	<a href="#">124TA7264</a>
34	Elastic pin	1	<a href="#">107TA6620</a>
35	Pin, control handle pump roller	1	<a href="#">107TA6619</a>
36	Cap	1	<a href="#">123TA6145</a>
37	Screw	4	<a href="#">123TA6146</a>
49	Hydraulic unit	1	<a href="#">124TA2113</a>
51	Oil seal	1	<a href="#">107TA6632</a>
52	Body, hydraulic pump unit piston (lift cylinder)	1	<a href="#">124TA1646</a>
53	Washer	1	<a href="#">124TA2114</a>
54	Screw	1	<a href="#">107TA6631</a>
55	O-ring	1	<a href="#">107TA6629</a>
56	Piston, hydraulic pump unit	1	<a href="#">107TA6634</a>

Nr	Description	Qty	REF
57	Screw	1	<a href="#">107TA6635</a>
58	Sealing ring (copper)	1	<a href="#">105TA1188</a>
59	Spring	1	<a href="#">107TA6636</a>
60	Plunger valve	1	<a href="#">107TA6637</a>
61	Oil seal	1	<a href="#">107TA6638</a>
62	Lip seal	1	<a href="#">107TA6640</a>
63	Steel ball	1	<a href="#">107TA6641</a>
65	Shim (thickness: 1 mm)	1	<a href="#">124TA1650</a>
66	Turning	1	<a href="#">124TA1652</a>
67A	Kit seal, hydraulic unit (lift cylinder)	1	<a href="#">124TA1654</a>
67B	Kit seal, hydraulic unit (valve unit)	1	<a href="#">124TA1656</a>
68	Steel ball	1	<a href="#">107TA6641</a>
69	Sealing ring (copper)	1	<a href="#">105TA1358</a>
70	O-ring	1	<a href="#">107TA6649</a>
71	Body, valve	1	<a href="#">124TA2115</a>
72	Spring	1	<a href="#">107TA6651</a>
73	Lip seal	1	<a href="#">107TA6652</a>
74	Guide	1	<a href="#">107TA6653</a>
75	Plunger	1	<a href="#">106TA7043</a>
76	Kit seal, hydraulic unit (complete)	1	<a href="#">107TA6990</a>
77	Lever lowering, tiller	1	<a href="#">123TA6147</a>
78	Steel ball	2	<a href="#">107TA6613</a>
79	Bushing	1	<a href="#">107TA6615</a>
80	Rod complete, lowering	1	<a href="#">107TA6622</a>
81	Spring	1	<a href="#">107TA6623</a>
82	Hexagonal nut	1	<a href="#">107TA6624</a>
83	Spring	1	<a href="#">107TA6614</a>
84	Handle assembly	1	<a href="#">123TA6150</a>
85	Steel ball	1	<a href="#">124TA1658</a>
86	Shim (thickness: 1,5 mm)	1	<a href="#">124TA1660</a>
87	O-ring	1	<a href="#">124TA1662</a>
88	Bushing	1	<a href="#">124TA1664</a>
89	Plunger	2	<a href="#">124TA1670</a>
90	Spring	1	<a href="#">124TA1666</a>
91	Screw	1	<a href="#">124TA1668</a>
92	Steel ball	1	<a href="#">107TA6641</a>
93	Spring	1	<a href="#">107TA6636</a>
94	Sealing ring (copper)	1	<a href="#">105TA1188</a>
95	Screw	1	<a href="#">124TA1672</a>
96	Piston, lift cylinder pallet truck	1	<a href="#">124TA1644</a>
97	Lip seal	1	<a href="#">107TA6644</a>
98	Shim (thickness: 3 mm)	1	<a href="#">128TA4722</a>
99	Housing, cylinder	1	<a href="#">128TA4723</a>
100	O-ring	1	<a href="#">124TA1648</a>
101	Shim (thickness: 1 mm)	1	<a href="#">124TA1650</a>
102	Steel ball	2	<a href="#">124TA1658</a>
103	Turning	1	<a href="#">128TA4724</a>





## HYDRAULIC UNIT BT LHM230 QUICK (3300000-)



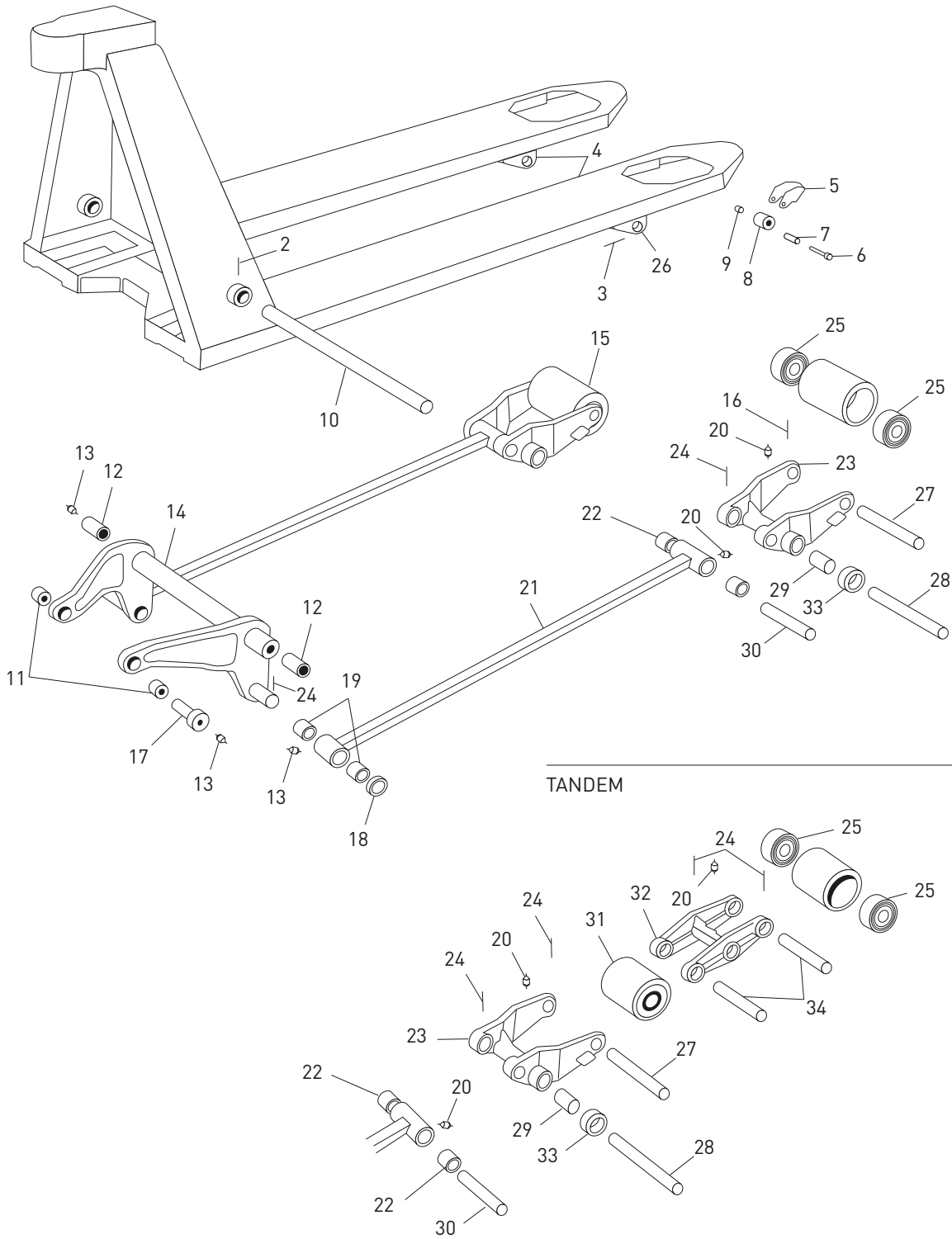


## HYDRAULIC UNIT BT LHM230 QUICK (3300000-)

Nr	Description	Qty	REF	Nr	Description	Qty	REF
1	Handle assembly	1	<a href="#">128TA4680</a>	39	Plunger	1	<a href="#">106TA7043</a>
2	Shaft, handle pivot	1	<a href="#">128TA4681</a>	40	Spring guide	1	<a href="#">107TA6653</a>
3	Rod complete, lowering	1	<a href="#">128TA4682</a>	41	O-ring	1	<a href="#">107TA6649</a>
4	Lever lift control	1	<a href="#">128TA4683</a>	42	Valve release, hydraulic unit	1	<a href="#">128TA4696</a>
5	Hexagonal nut	1	<a href="#">107TA6624</a>	43	Elastic pin	2	<a href="#">107TA6592</a>
6	Elastic pin	1	<a href="#">128TA4684</a>	44	Thrust plate, hydraulic pump unit mounting	1	<a href="#">128TA4697</a>
7	Roller, control handle pump (roller and bushing)	1	<a href="#">128TA4685</a>	45	Circlip	1	<a href="#">128TA4716</a>
8	Elastic pin	1	<a href="#">107TA6620</a>	46	Grease nipple	1	<a href="#">107TA6594</a>
9	Pin, control handle pump roller	1	<a href="#">107TA6619</a>	47	Bearing, hydraulic unit pivot	1	<a href="#">128TA4699</a>
10	Steel ball	2	<a href="#">107TA6641</a>	48	Elastic pin	1	<a href="#">128TA4684</a>
11	Screw	4	<a href="#">123TA6146</a>	49	Steel ball	1	<a href="#">107TA6641</a>
12	Cap	1	<a href="#">123TA6145</a>	50	Plunger valve	1	<a href="#">128TA4700</a>
13	Spring	1	<a href="#">128TA4686</a>	51	Spring	1	<a href="#">107TA6636</a>
14	Bushing	1	<a href="#">107TA6615</a>	52	Screw	1	<a href="#">128TA4701</a>
15	Handle, tiller	1	<a href="#">123TA6141</a>	53	O-ring	1	<a href="#">128TA4702</a>
16	Rivet	4	<a href="#">128TA4687</a>	54	Bonded seal	1	<a href="#">128TA4703</a>
17	Decal horizontal, brand name (round)	1	<a href="#">128TA4688</a>	55	Shaft, handle pivot	2	<a href="#">128TA4704</a>
18	Handle	1	<a href="#">123TA6147</a>	56	Piston, hydraulic pump unit	1	<a href="#">128TA4717</a>
19A	Wheel assembly, steer (nylon)	2	<a href="#">107TA6605</a>	57	O-ring	1	<a href="#">128TA4718</a>
19B	Wheel assembly, steer (poly)	2	<a href="#">107TA6606</a>	58	Lip seal	1	<a href="#">128TA4705</a>
19C	Wheel assembly, steer (rubber)	2	<a href="#">107TA6601</a>	59	O-ring	1	<a href="#">128TA4719</a>
20	Cap, front wheel hub	2	<a href="#">122TA7004</a>	60	Backup ring	1	<a href="#">128TA4720</a>
21	Ball bearing	4	<a href="#">124TA2111</a>	61	Spring	1	<a href="#">128TA4707</a>
22	Shaft, steer wheel	1	<a href="#">128TA4689</a>	62	Washer	1	<a href="#">128TA4708</a>
23	Circlip	2	<a href="#">107TA6600</a>		Kit seal, hydraulic unit	1	<a href="#">128TA4721</a>
24	Kit seal, hydraulic unit	1	<a href="#">128TA4712</a>				
25	Circlip	1	<a href="#">107TA6580</a>				
26	Oil seal	1	<a href="#">128TA4713</a>				
27	Circlip	1	<a href="#">128TA4714</a>				
28	Head, cylinder	1	<a href="#">128TA4715</a>				
29	Sleeve	1	<a href="#">128TA4691</a>				
30	Piston, lift cylinder pallet truck	1	<a href="#">128TA4692</a>				
31	Circlip	1	<a href="#">128TA4693</a>				
32	Oil seal	1	<a href="#">107TA6632</a>				
33	Elastic pin	1	<a href="#">107TA6655</a>				
34	Lip seal	1	<a href="#">128TA4694</a>				
35	Steel ball	1	<a href="#">107TA6641</a>				
36	Sealing ring (copper)	1	<a href="#">128TA4695</a>				
37	Spring	1	<a href="#">107TA6651</a>				
38	Lip seal	1	<a href="#">107TA6652</a>				



## MAIN FRAME BT LHM230 QUICK



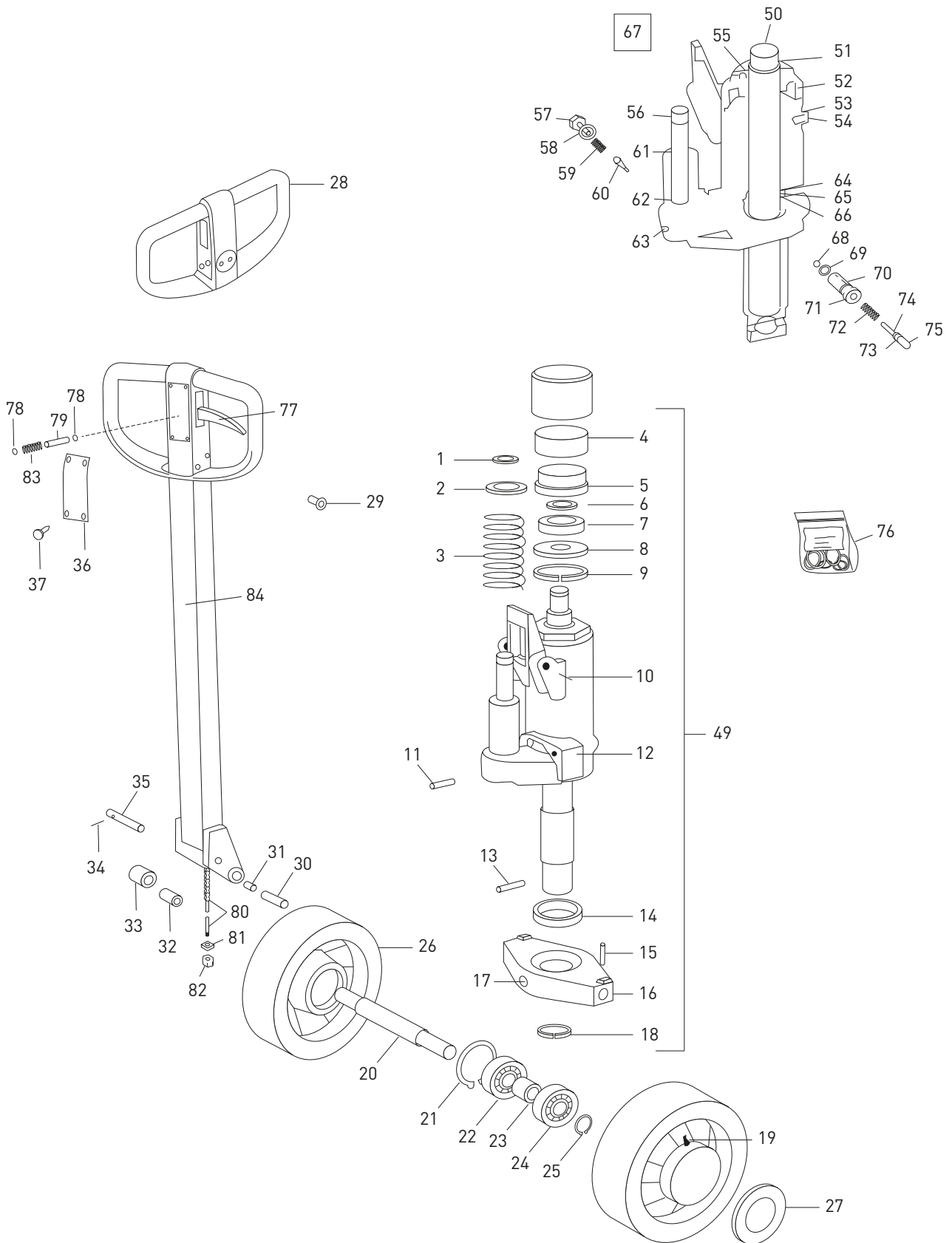


## MAIN FRAME BT LHM230 QUICK

Nr	Description	Qty	REF	Nr	Description	Qty	REF
2	Elastic pin	1	<a href="#">107TA6592</a>	31C	Wheel assembly, load (steel) (tandem)	4	<a href="#">123TA6149</a>
3	Elastic pin	4	<a href="#">107TA6655</a>	31D	Wheel assembly, load (poly) (tandem)	4	<a href="#">107TA6683</a>
4	Ear	2	<a href="#">107TA6688</a>	32	Fork, load wheel	2	<a href="#">107TA6684</a>
5	Support	2	<a href="#">107TA6658</a>	33	Wheel, exit roller	2	<a href="#">106TA7045</a>
6	Shaft/bolt, entry roller	2	<a href="#">107TA6659</a>	34	Shaft/bolt load wheel	4	<a href="#">106TA7044</a>
7	Spacer, entry roller	2	<a href="#">107TA6660</a>				
8	Wheel, entry roller	2	<a href="#">107TA2891</a>				
9	Hexagonal nut	2	<a href="#">107TA6661</a>				
10	Shaft pivot, torsion tube	1	<a href="#">107TA6662</a>				
11	Bushing, torsion tube to thrust plate	2	<a href="#">105TA1924</a>				
12	Bushing, torsion tube pivot	2	<a href="#">105TA2177</a>				
13	Grease nipple	2	<a href="#">107TA6594</a>				
14	Torsion tube	1	<a href="#">107TA6663</a>				
15A	Wheel assembly, load (nylon) (single)	2	<a href="#">107TA2928</a>				
15B	Wheel assembly, load (poly) (single)	2	<a href="#">107TA6667</a>				
15C	Wheel assembly, load (vulkolan) (single)	2	<a href="#">107TA6668</a>				
15D	Wheel assembly, load (steel) (single)	2	<a href="#">107TA6666</a>				
16	Elastic pin	2	<a href="#">107TA6592</a>				
17	Shaft, torsion tube to thrust plate	2	<a href="#">123TA6148</a>				
18	Shim (thickness: 4,2 mm)	2	<a href="#">107TA6670</a>				
19	Bushing, push/pull rod non fork end	4	<a href="#">107TA6671</a>				
20	Grease nipple	8	<a href="#">107TA6594</a>				
21	Push/pull rod assembly, lift structure	2	<a href="#">105TA4604</a>				
22	Bushing, push/pull rod fork end	4	<a href="#">105TA2174</a>				
23	Bushing, load wheel tandem pivot	2	<a href="#">106TA7393</a>				
24	Elastic pin	6	<a href="#">107TA6592</a>				
25	Ball bearing	4	<a href="#">107TA6675</a>				
26	Ear	2	<a href="#">107TA6688</a>				
27	Shaft/bolt load wheel	2	<a href="#">107TA6677</a>				
28	Axle, exit roller	2	<a href="#">107TA6679</a>				
29	Bushing, fork load wheel bracket to chassis	4	<a href="#">105TA2175</a>				
30	Shaft, push/pull rod fork end	2	<a href="#">107TA6681</a>				
31A	Wheel assembly, load (nylon) (tandem)	4	<a href="#">107TA2936</a>				
31B	Wheel assembly, load (urethane) (tandem)	4	<a href="#">107TA2788</a>				



## HYDRAULIC UNIT BT LIFTER L23 (2400000-3120999)





## HYDRAULIC UNIT BT LIFTER L23 (2400000-3120999)

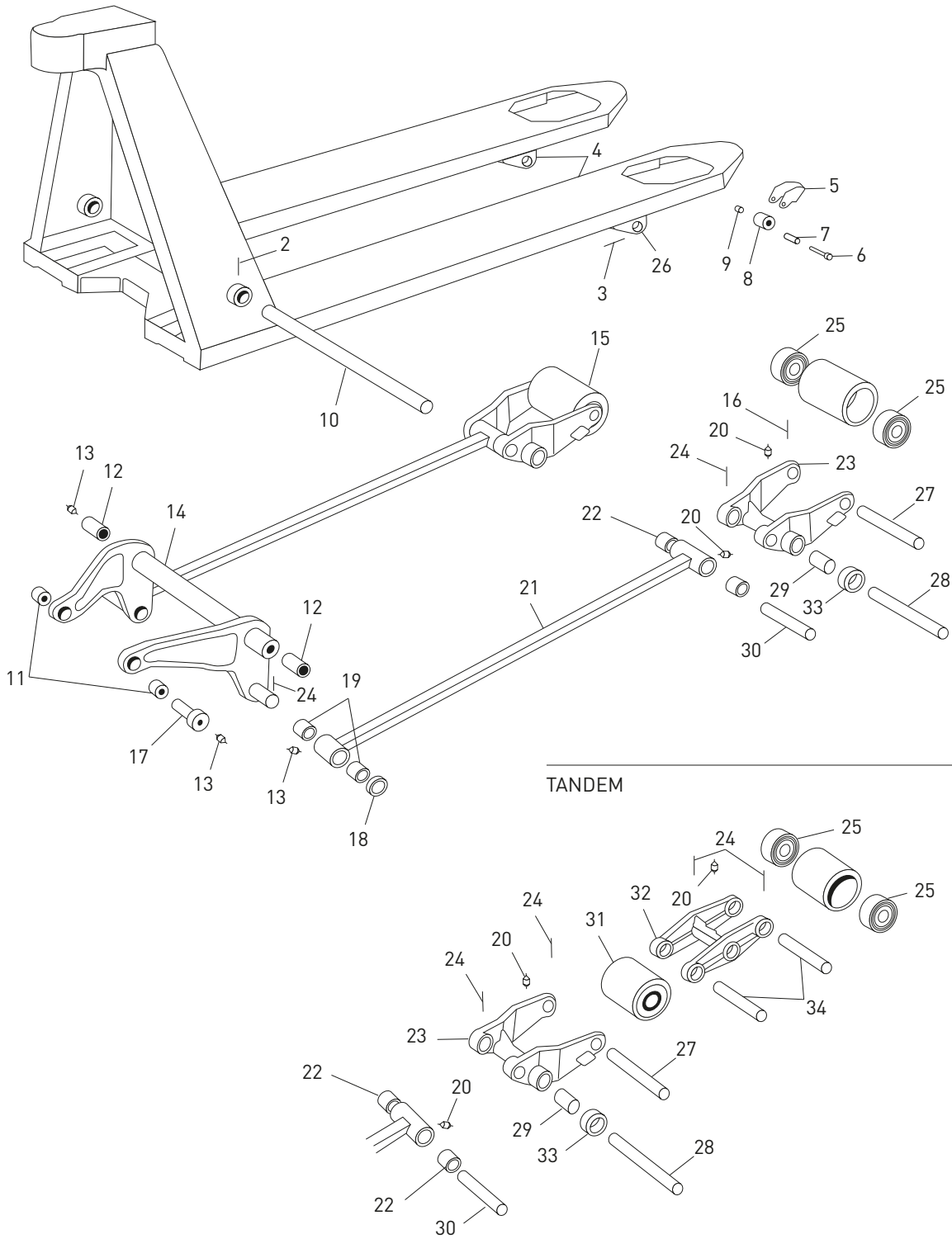
Nr	Description	Qty	REF
1	Circlip	1	<a href="#">107TA6580</a>
2	Cap, control handle pivot return spring	1	<a href="#">107TA6581</a>
3	Spring, control handle return torsion	1	<a href="#">105TA4608</a>
4	Insert	1	<a href="#">107TA6582</a>
5	Housing, bearing	1	<a href="#">107TA6583</a>
6	Circlip	1	<a href="#">107TA6584</a>
7	Ball bearing	1	<a href="#">107TA6585</a>
8	Washer (nylon) (thickness: 3 mm)	1	<a href="#">107TA6586</a>
9	Circlip	1	<a href="#">107TA6587</a>
10	Elastic pin	2	<a href="#">107TA6588</a>
11	Cotter pin	1	<a href="#">107TA6589</a>
12	Lever lift control	1	<a href="#">107TA6590</a>
13	Cotter pin	1	<a href="#">107TA6591</a>
14	Spacer, pivot bearing hydraulic pump unit to chassis	1	<a href="#">106TA6779</a>
15	Elastic pin	2	<a href="#">107TA6592</a>
16	Thrust plate, hydraulic pump unit mounting	1	<a href="#">106TA6781</a>
17	Grease nipple	1	<a href="#">107TA6593</a>
18	Circlip	1	<a href="#">107TA6595</a>
19	Grease nipple	1	<a href="#">107TA6594</a>
20	Shaft, steer wheel	1	<a href="#">107TA6596</a>
21	Circlip	2	<a href="#">107TA6597</a>
22	Ball bearing	2	<a href="#">147TA3710</a>
23	Bushing (without collar)	2	<a href="#">123TA6139</a>
24	Ball bearing	2	<a href="#">147TA3710</a>
25	Circlip	2	<a href="#">107TA6600</a>
26A	Wheel assembly, steer (rubber)	2	<a href="#">107TA6601</a>
26B	Wheel assembly, steer (polyurethane) (nylon rim)	2	<a href="#">107TA6606</a>
26C	Wheel assembly, steer (nylon)	2	<a href="#">107TA6605</a>
26D	Wheel assembly, steer (steel)	2	<a href="#">123TA6140</a>
27	Cap, front wheel hub	2	<a href="#">122TA7004</a>
28	Lowering lever	1	<a href="#">123TA6141</a>
29	Rivet	4	<a href="#">123TA6142</a>
30	Shaft, handle pivot	1	<a href="#">107TA6618</a>
31	Bushing, handle pivot	2	<a href="#">123TA6143</a>
32	Bushing, control handle pump roller	1	<a href="#">107TA6625</a>
33	Roller, control handle pump	1	<a href="#">107TA6621</a>
34	Elastic pin	1	<a href="#">107TA6620</a>

Nr	Description	Qty	REF
35	Pin, control handle pump roller	1	<a href="#">107TA6619</a>
36	Cover, tiller head	1	<a href="#">123TA6145</a>
37	Screw	4	<a href="#">123TA6146</a>
49	Hydraulic unit	1	<a href="#">107TA6626</a>
50	Piston, lift cylinder pallet truck	1	<a href="#">107TA6627</a>
51	Body, hydraulic pump unit piston	1	<a href="#">107TA6628</a>
52	O-ring	1	<a href="#">107TA6629</a>
53	Washer (synthetic) (thickness: 4 mm)	1	<a href="#">107TA6630</a>
54	Screw	1	<a href="#">107TA6631</a>
55	Oil seal	1	<a href="#">107TA6632</a>
56	Piston, hydraulic pump unit	1	<a href="#">107TA6634</a>
57	Screw	1	<a href="#">107TA6635</a>
58	Washer (copper) (thickness: 2,5 mm)	1	<a href="#">105TA1188</a>
59	Spring	1	<a href="#">107TA6636</a>
60	Plunger valve	1	<a href="#">107TA6637</a>
61	Oil seal	1	<a href="#">107TA6638</a>
62	Lip seal	1	<a href="#">107TA6640</a>
63	Steel ball	1	<a href="#">107TA6641</a>
64	Circlip	1	<a href="#">107TA6642</a>
65	Turning (bronze)	1	<a href="#">107TA6643</a>
66	Lip seal	1	<a href="#">107TA6644</a>
67A	Kit seal, hydraulic pump unit piston (pump cylinder)	1	<a href="#">107TA6645</a>
67B	Kit seal, lift cylinder (lift cylinder)	1	<a href="#">107TA6647</a>
67C	Seal kit (valve unit)	1	<a href="#">107TA6648</a>
68	Steel ball	1	<a href="#">107TA6641</a>
69	Washer (copper) (thickness: 1,4 mm)	1	<a href="#">105TA1358</a>
70	O-ring	1	<a href="#">107TA6649</a>
71	Valve housing	1	<a href="#">107TA6650</a>
72	Spring	1	<a href="#">107TA6651</a>
73	Lip seal	1	<a href="#">107TA6652</a>
74	Guide, spring	1	<a href="#">107TA6653</a>
75	Plunger, valve	1	<a href="#">106TA7043</a>
76	Kit repair, hydraulic unit	1	<a href="#">107TA6576</a>
77	Lever lowering, tiller	1	<a href="#">123TA6147</a>
78	Steel ball	2	<a href="#">107TA6613</a>
79	Bushing	1	<a href="#">107TA6615</a>
80	Rod complete, lowering	1	<a href="#">107TA6622</a>
81	Spring	1	<a href="#">107TA6623</a>
82	Hexagonal nut	1	<a href="#">107TA6624</a>
83	Spring	1	<a href="#">107TA6614</a>
84	Handle assembly	1	<a href="#">123TA6150</a>



LIFTER L23 (2400000-3120999)

## MAIN FRAME BT LIFTER L23 (2400000-3120999)





## MAIN FRAME BT LIFTER L23 (2400000-3120999)

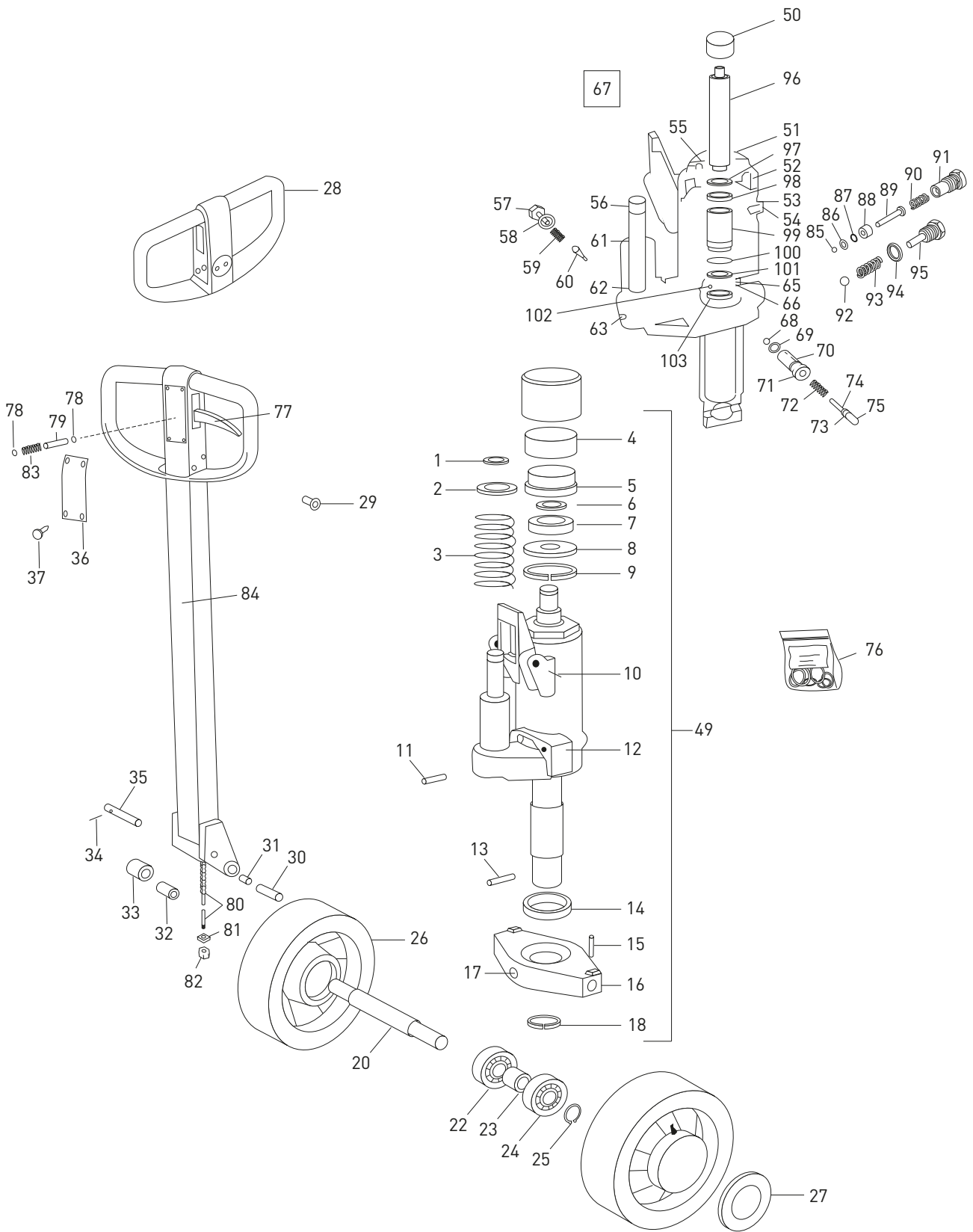
Nr	Description	Qty	REF	Nr	Description	Qty	REF
2	Elastic pin	1	<a href="#">107TA6592</a>	31	Wheel assembly, load (polyurethane) (nylon rim) (tandem)	4	<a href="#">107TA6683</a>
3	Elastic pin	4	<a href="#">107TA6655</a>	31	Wheel assembly, load (nylon) (tandem)	4	<a href="#">107TA2936</a>
4	Ear	2	<a href="#">107TA6688</a>	31	Wheel assembly, load (steel) (tandem)	4	<a href="#">123TA6149</a>
5	Bracket, entry roller	2	<a href="#">107TA6658</a>	32	Fork, load wheel	2	<a href="#">107TA6684</a>
6	Shaft/bolt, entry roller	2	<a href="#">107TA6659</a>	33	Wheel, exit roller	2	<a href="#">106TA7045</a>
7	Spacer, entry roller	2	<a href="#">107TA6660</a>	34	Shaft/bolt load wheel	4	<a href="#">106TA7044</a>
8	Wheel, entry roller	2	<a href="#">107TA2891</a>	35	Carrier complete, load wheel (nylon) (tandem)	2	<a href="#">108TA3941</a>
9	Hexagonal nut	2	<a href="#">107TA6661</a>				
10	Shaft pivot, torsion tube	1	<a href="#">107TA6662</a>				
11	Bushing, torsion tube to thrust plate	2	<a href="#">105TA1924</a>				
12	Bushing, torsion tube pivot	2	<a href="#">105TA2177</a>				
13	Grease nipple	2	<a href="#">107TA6594</a>				
14	Torsion tube	1	<a href="#">107TA6663</a>				
15	Wheel assembly, load (Vulkollan®) (single)	2	<a href="#">107TA6668</a>				
15	Wheel assembly, load (steel) (single)	2	<a href="#">107TA6666</a>				
15	Wheel assembly, load (polyurethane) (nylon rim) (single)	2	<a href="#">107TA6667</a>				
15	Wheel assembly, load (nylon) (single)	2	<a href="#">107TA2928</a>				
16	Elastic pin	2	<a href="#">107TA6592</a>				
17	Shaft, torsion tube to thrust plate	2	<a href="#">123TA6148</a>				
18	Washer (thickness: 4,2 mm)	2	<a href="#">107TA6670</a>				
19	Bushing, push/pull rod non fork end	4	<a href="#">107TA6671</a>				
20	Grease nipple	8	<a href="#">107TA6594</a>				
21	Push/pull rod, lift structure (fork length: 1150 mm)	2	<a href="#">105TA4604</a>				
22	Bushing, push/pull rod fork end	4	<a href="#">105TA2174</a>				
23	Fork, bracket load wheel	2	<a href="#">106TA7393</a>				
24	Elastic pin	6	<a href="#">107TA6592</a>				
25	Bearing	4	<a href="#">107TA6675</a>				
26	Ear	2	<a href="#">107TA6688</a>				
27	Shaft/bolt load wheel	2	<a href="#">107TA6677</a>				
28	Shaft, fork load wheel bracket to chassis	2	<a href="#">107TA6679</a>				
29	Bushing, fork load wheel bracket to chassis	4	<a href="#">105TA2175</a>				
30	Shaft, push/pull rod fork end (diameter: 18 mm) (length: 84,5 mm)	2	<a href="#">107TA6681</a>				
31	Wheel assembly, load (Vulkollan®) (tandem)	4	<a href="#">107TA2788</a>				

LIFTER L23 (2400000-3120999)





## HYDRAULIC UNIT BT LIFTER L23 QUICK (2400000-3120999)





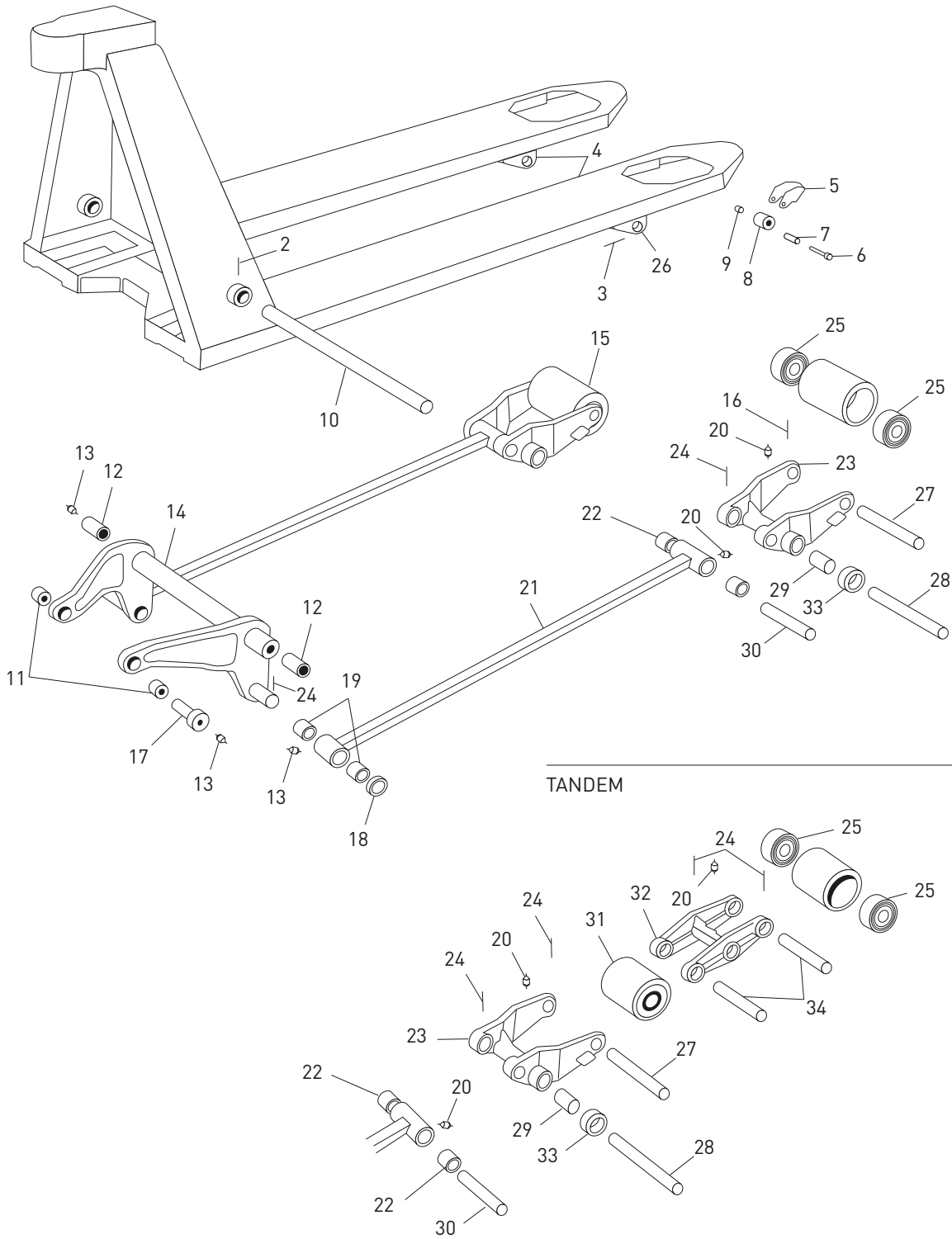
## HYDRAULIC UNIT BT LIFTER L23 QUICK (2400000-3120999)

Nr	Description	Qty	REF
1	Circlip	1	<a href="#">107TA6580</a>
2	Cap, control handle pivot return spring	1	<a href="#">107TA6581</a>
3	Spring, control handle return torsion	1	<a href="#">105TA4608</a>
4	Insert	1	<a href="#">107TA6582</a>
5	Housing, bearing	1	<a href="#">124TA2108</a>
6	Circlip	1	<a href="#">107TA6584</a>
7	Ball bearing	1	<a href="#">107TA6585</a>
8	Washer (nylon) (thickness: 3 mm)	1	<a href="#">107TA6586</a>
9	Circlip	1	<a href="#">107TA6587</a>
10	Elastic pin	2	<a href="#">107TA6588</a>
11	Cotter pin	1	<a href="#">124TA2109</a>
12	Lever lift control	1	<a href="#">107TA6590</a>
13	Cotter pin	1	<a href="#">124TA2109</a>
14	Bearing, hydraulic unit pivot	1	<a href="#">106TA6779</a>
15	Elastic pin	2	<a href="#">107TA6592</a>
16	Thrust plate, hydraulic pump unit mounting	1	<a href="#">106TA6781</a>
17	Grease nipple	1	<a href="#">107TA6594</a>
18	Circlip	1	<a href="#">107TA6595</a>
20	Shaft, steer wheel	1	<a href="#">107TA6596</a>
22	Ball bearing	1	<a href="#">124TA2111</a>
23	Bushing (without collar)	2	<a href="#">123TA6139</a>
24	Ball bearing	1	<a href="#">124TA2111</a>
25	Circlip	2	<a href="#">107TA6600</a>
26	Wheel assembly, steer (Vulkollan®)	2	<a href="#">107TA3102</a>
26	Wheel assembly, steer (rubber)	2	<a href="#">107TA6601</a>
26	Wheel assembly, steer (nylon)	2	<a href="#">107TA6605</a>
26	Wheel assembly, steer (polyurethane) (nylon rim)	2	<a href="#">107TA6606</a>
27	Cap, front wheel hub	2	<a href="#">122TA7004</a>
28	Lowering lever	1	<a href="#">123TA6141</a>
29	Rivet	4	<a href="#">123TA6142</a>
30	Shaft, handle pivot	2	<a href="#">107TA6618</a>
31	Bushing, handle pivot	2	<a href="#">123TA6143</a>
32	Spacer, entry roller	1	<a href="#">107TA6625</a>
33	Roller, control handle pump	1	<a href="#">124TA7264</a>
34	Elastic pin	1	<a href="#">107TA6620</a>
35	Pin, control handle pump roller	1	<a href="#">107TA6619</a>
36	Cover, tiller head	1	<a href="#">123TA6145</a>
37	Screw	4	<a href="#">123TA6146</a>
49	Hydraulic unit	1	<a href="#">124TA2113</a>
50	Piston, lift cylinder pallet truck	1	<a href="#">124TA1644</a>
51	Oil seal	1	<a href="#">107TA6632</a>

Nr	Description	Qty	REF
52	Body, hydraulic pump unit piston	1	<a href="#">124TA1646</a>
53	Washer (synthetic) (thickness: 4 mm)	1	<a href="#">124TA2114</a>
54	Screw	1	<a href="#">107TA6631</a>
55	O-ring	1	<a href="#">107TA6629</a>
56	Piston, hydraulic pump unit	1	<a href="#">107TA6634</a>
57	Screw	1	<a href="#">107TA6635</a>
58	Washer (copper) (thickness: 2,5 mm)	1	<a href="#">105TA1188</a>
59	Spring	1	<a href="#">107TA6636</a>
60	Plunger valve	1	<a href="#">107TA6637</a>
61	Oil seal	1	<a href="#">107TA6638</a>
62	Lip seal	1	<a href="#">107TA6640</a>
63	Steel ball	1	<a href="#">107TA6641</a>
65	Washer (thickness: 1 mm)	1	<a href="#">124TA1650</a>
66	Turning (brass)	1	<a href="#">124TA1652</a>
67	Kit seal, lift cylinder (lift cylinder)	1	<a href="#">124TA1654</a>
67	Seal kit (valve unit)	1	<a href="#">124TA1656</a>
68	Steel ball	1	<a href="#">107TA6641</a>
69	Washer (copper) (thickness: 1,4 mm)	1	<a href="#">105TA1358</a>
70	O-ring	1	<a href="#">107TA6649</a>
71	Valve housing	1	<a href="#">124TA2115</a>
72	Spring	1	<a href="#">107TA6651</a>
73	Lip seal	1	<a href="#">107TA6652</a>
74	Guide, spring	1	<a href="#">107TA6653</a>
75	Plunger, valve	1	<a href="#">106TA7043</a>
76	Kit seal, lift cylinder (lift cylinder)	1	<a href="#">124TA1654</a>
77	Lever lowering, tiller	1	<a href="#">123TA6147</a>
78	Steel ball	2	<a href="#">107TA6613</a>
79	Bushing	1	<a href="#">107TA6615</a>
80	Rod complete, lowering	1	<a href="#">107TA6622</a>
81	Spring	1	<a href="#">107TA6623</a>
82	Hexagonal nut	1	<a href="#">107TA6624</a>
83	Spring	1	<a href="#">107TA6614</a>
84	Handle assembly	1	<a href="#">123TA6150</a>
85	Ball bearing	1	<a href="#">124TA1658</a>
86	Washer (thickness: 1,5 mm)	1	<a href="#">124TA1660</a>
87	O-ring	1	<a href="#">124TA1662</a>
88	Bushing	1	<a href="#">124TA1664</a>
89	Plunger, valve	2	<a href="#">124TA1670</a>
90	Spring	1	<a href="#">124TA1666</a>
91	Screw	1	<a href="#">124TA1668</a>
92	Steel ball	1	<a href="#">107TA6641</a>
93	Spring	1	<a href="#">107TA6636</a>
94	Washer (copper) (thickness: 2,5 mm)	1	<a href="#">105TA1188</a>
95	Screw	1	<a href="#">124TA1672</a>



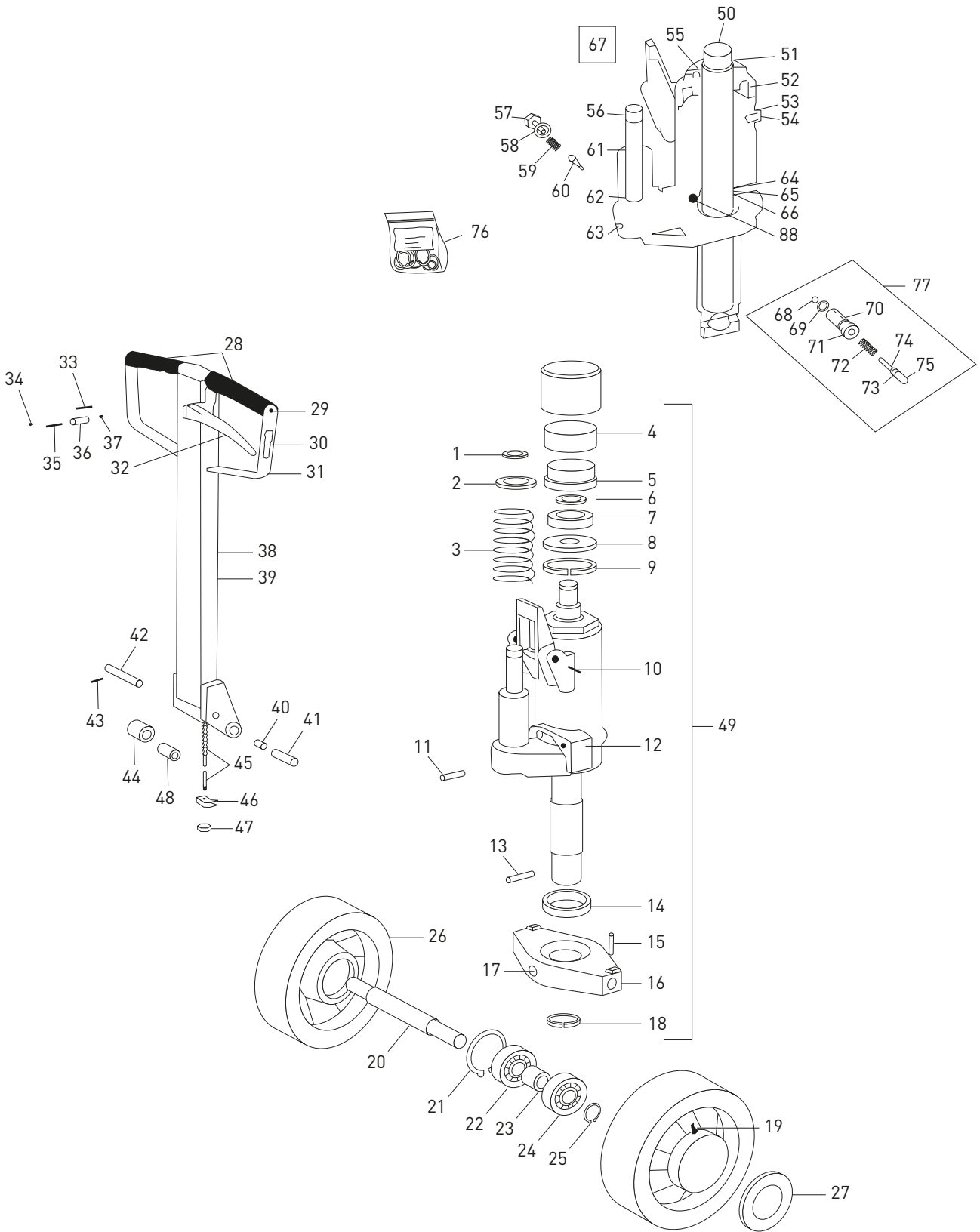
## MAIN FRAME BT LIFTER L23 QUICK (2400000-3120999)







## HYDRAULIC UNIT BT LIFTER L2000 7/9/10/11 (-2399999)



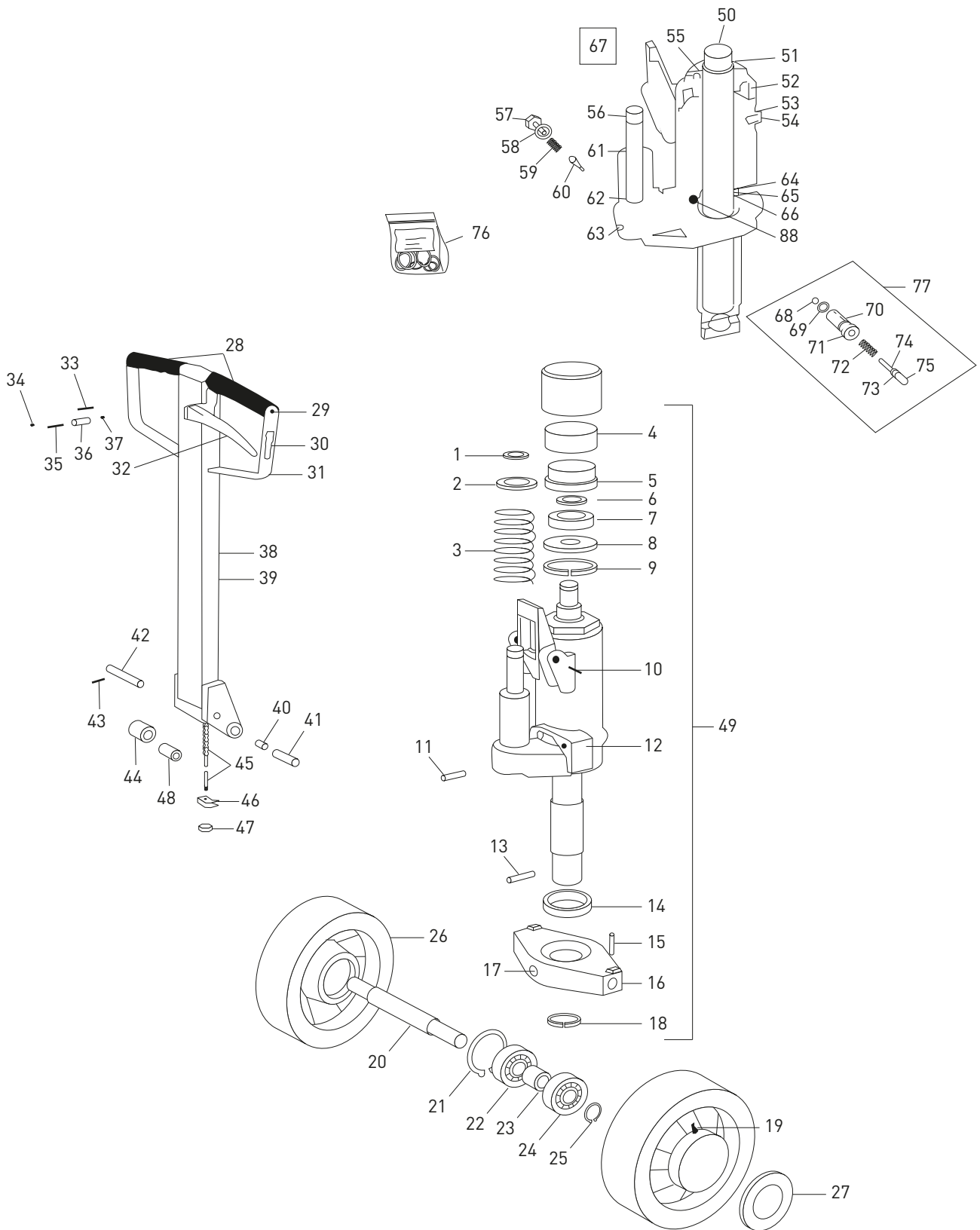


## HYDRAULIC UNIT BT LIFTER L2000 7/9/10/11 (-2399999)

Nr	Description	Qty	REF	Nr	Description	Qty	REF
1	Circlip	1	<a href="#">107TA6580</a>	26F	Wheel assembly, load (nylon) (without bearings)	2	<a href="#">107TA6604</a>
2	Washer (steel) (thickness: 6 mm)	1	<a href="#">107TA6581</a>	26G	Wheel assembly, steer (nylon) (only for L2000/11) (2586500-)	2	<a href="#">107TA6605</a>
3	Spring, control handle return torsion	1	<a href="#">105TA4608</a>	27	Cap, front wheel hub	2	<a href="#">122TA7004</a>
4	Insert	1	<a href="#">107TA6582</a>	28	Handle	2	<a href="#">107TA6607</a>
5	Housing, bearing	1	<a href="#">107TA6583</a>	29A	Screw (M6) (total length: 16 mm) (L2000/7)	2	<a href="#">107TA6608</a>
6	Circlip	1	<a href="#">107TA6584</a>	29B	Screw (6,3 x 25 mm) (from L2000/8)	2	<a href="#">107TA6609</a>
7	Ball bearing	1	<a href="#">107TA6585</a>	30	Adhesive	1	<a href="#">107TA6610</a>
8	Washer (nylon) (thickness: 3 mm)	1	<a href="#">107TA6586</a>	31	Clamp	2	<a href="#">107TA6611</a>
9	Circlip	1	<a href="#">107TA6587</a>	32	Lever lowering, tiller	1	<a href="#">106TA6780</a>
10	Elastic pin	2	<a href="#">107TA6588</a>	33	Elastic pin	1	<a href="#">107TA6612</a>
11	Cotter pin	1	<a href="#">107TA6589</a>	34	Steel ball	2	<a href="#">107TA6613</a>
12	Lever lift control	1	<a href="#">107TA6590</a>	35	Spring	1	<a href="#">107TA6614</a>
13	Cotter pin	1	<a href="#">107TA6591</a>	36	Bushing	1	<a href="#">107TA6615</a>
14	Spacer, pivot bearing hydraulic pump unit to chassis	1	<a href="#">106TA6779</a>	37	Steel ball	2	<a href="#">107TA6613</a>
15	Elastic pin	2	<a href="#">107TA6592</a>	38	Handle assembly	1	<a href="#">106TA6777</a>
16	Thrust plate, hydraulic pump unit mounting	1	<a href="#">106TA6781</a>	39	Bracket, tiller arm	1	<a href="#">107TA6616</a>
17	Grease nipple (L2000/8)	1	<a href="#">107TA6594</a>	40	Bushing, handle pivot	2	<a href="#">107TA6617</a>
17	Grease nipple (to L2000/7)	1	<a href="#">107TA6593</a>	41	Shaft, handle pivot	2	<a href="#">107TA6618</a>
18	Circlip	1	<a href="#">107TA6595</a>	42	Pin, control handle pump roller	1	<a href="#">107TA6619</a>
19	Grease nipple	1	<a href="#">107TA6594</a>	43	Elastic pin	1	<a href="#">107TA6620</a>
20	Shaft, steer wheel	1	<a href="#">107TA6596</a>	44	Roller, control handle pump	1	<a href="#">107TA6621</a>
21	Circlip	2	<a href="#">107TA6597</a>	45	Rod complete, lowering	1	<a href="#">107TA6622</a>
22	Ball bearing	2	<a href="#">107TA6598</a>	46	Spring	1	<a href="#">107TA6623</a>
23	Bushing (without collar)	2	<a href="#">105TA1681</a>	47	Hexagonal nut	1	<a href="#">107TA6624</a>
24	Ball bearing	2	<a href="#">107TA6599</a>	48	Bushing, control handle pump roller	1	<a href="#">107TA6625</a>
25	Circlip	2	<a href="#">107TA6600</a>	49	Hydraulic unit	1	<a href="#">107TA6626</a>
26A	Wheel assembly, steer (rubber) (nylon rim) (without bearings)	2	<a href="#">107TA3008</a>	50	Piston, lift cylinder pallet truck	1	<a href="#">107TA6627</a>
26B	Wheel assembly, steer (rubber) (only for L2000/11) (2586500-)	2	<a href="#">107TA6601</a>	51	Body, hydraulic pump unit piston	1	<a href="#">107TA6628</a>
26C	Wheel assembly, load (polyurethane) (nylon rim) (without bearings)	2	<a href="#">107TA6603</a>	52	O-ring	1	<a href="#">107TA6629</a>
26D	Wheel assembly, load (polyurethane) (without bearings)	2	<a href="#">107TA3009</a>	53	Washer (synthetic) (thickness: 4 mm)	1	<a href="#">107TA6630</a>
26E	Wheel assembly, steer (polyurethane) (nylon rim) (only for L2000/11) (2586500-)	2	<a href="#">107TA6606</a>	54	Screw	1	<a href="#">107TA6631</a>
				55	Oil seal	1	<a href="#">107TA6632</a>
				56A	Piston, hydraulic pump unit (L2000/7)	1	<a href="#">107TA6633</a>
				56B	Piston, hydraulic pump unit (L2000/10)	1	<a href="#">107TA6634</a>



## HYDRAULIC UNIT BT LIFTER L2000 7/9/10/11 (-2399999)





## HYDRAULIC UNIT BT LIFTER L2000 7/9/10/11 (-2399999)

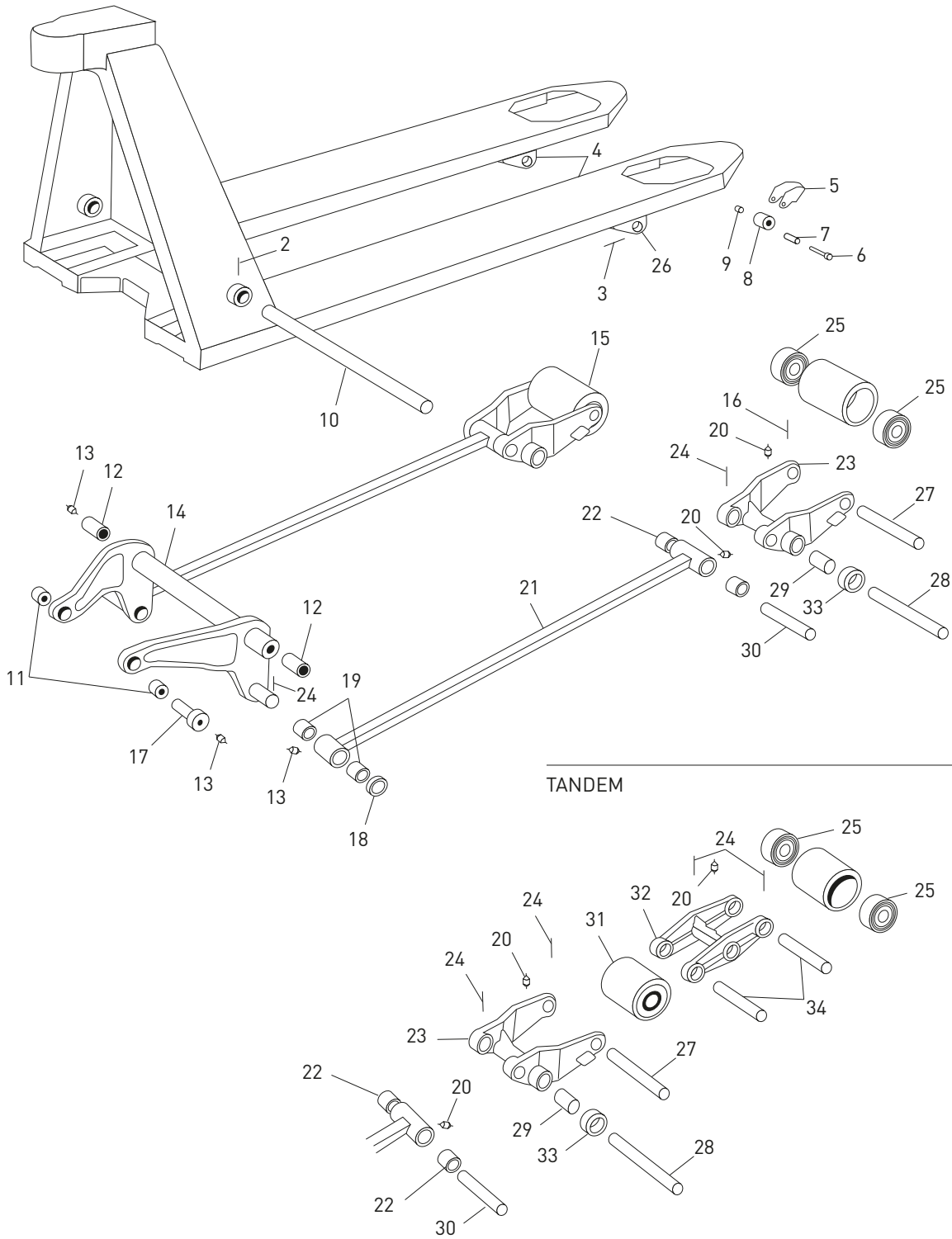
Nr	Description	Qty	REF	Nr	Description	Qty	REF
57	Screw	1	<a href="#">107TA6635</a>				
58	Washer (copper) (thickness: 2,5 mm)	1	<a href="#">105TA1188</a>				
59	Spring	1	<a href="#">107TA6636</a>				
60	Plunger valve	1	<a href="#">107TA6637</a>				
61A	Oil seal (L2000/7)	1	<a href="#">107TA6638</a>				
61B	Lip seal (L2000/10)	1	<a href="#">107TA6640</a>				
62	Lip seal	1	<a href="#">107TA6639</a>				
63	Steel ball	1	<a href="#">107TA6641</a>				
64	Circlip	1	<a href="#">107TA6642</a>				
65	Turning (bronze)	1	<a href="#">107TA6643</a>				
66	Lip seal	1	<a href="#">107TA6644</a>				
67A	Kit seal, hydraulic pump unit piston (pump cylinder) (from L2000/10 to L2000/11)	1	<a href="#">107TA6645</a>				
67B	Kit seal, hydraulic pump unit piston (pump cylinder) (from L2000/7 to L2000/9)	1	<a href="#">107TA6646</a>				
67C	Kit seal, lift cylinder (lift cylinder)	1	<a href="#">107TA6647</a>				
67D	Seal kit (valve unit)	1	<a href="#">107TA6648</a>				
68	Steel ball	1	<a href="#">107TA6641</a>				
69	Washer (copper) (thickness: 1,4 mm)	1	<a href="#">105TA1358</a>				
70	O-ring	1	<a href="#">107TA6649</a>				
71	Valve housing	1	<a href="#">107TA6650</a>				
72	Spring	1	<a href="#">107TA6651</a>				
73	Lip seal	1	<a href="#">107TA6652</a>				
74	Guide, spring	1	<a href="#">107TA6653</a>				
75	Plunger, valve	1	<a href="#">106TA7043</a>				
76A	Kit repair, hydraulic unit (from L2000/7 to L2000/9)	1	<a href="#">107TA6575</a>				
76B	Kit repair, hydraulic unit (from L2000/10 to L2000/11)	1	<a href="#">107TA6576</a>				

LIFTER L2000 7/9/10/11 (-2399999)





## MAIN FRAME BT LIFTER L2000 7/9/10/11 (-2399999)



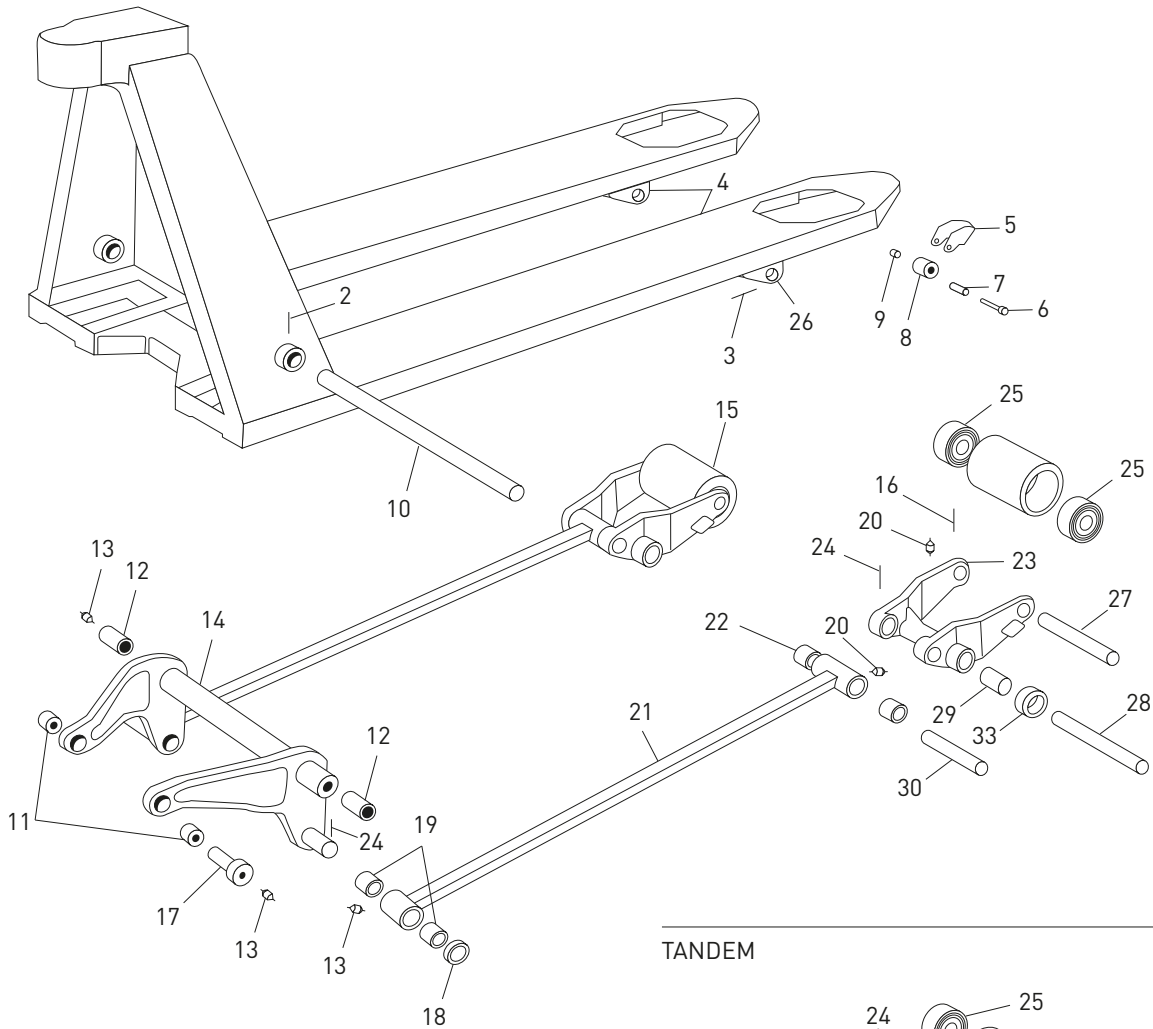


## MAIN FRAME BT LIFTER L2000 7/9/10/11 (-2399999)

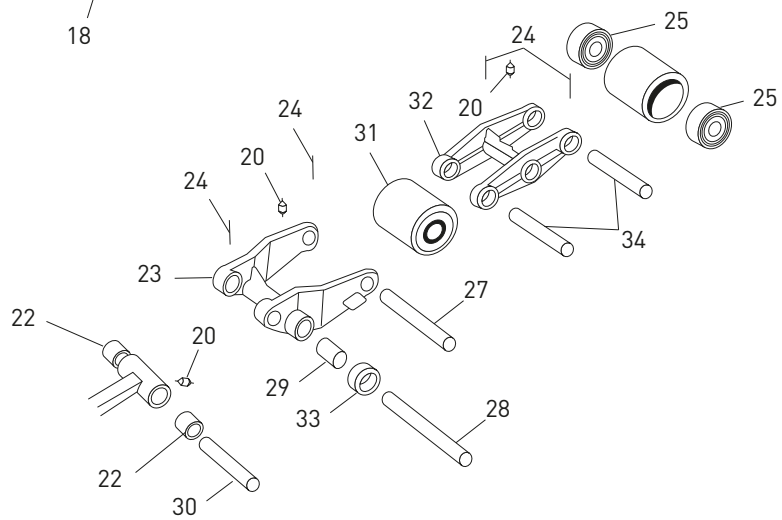
Nr	Description	Qty	REF	Nr	Description	Qty	REF
2	Elastic pin	1	<a href="#">107TA6592</a>	23A	Fork, bracket load wheel (L2000/7)	2	<a href="#">106TA8088</a>
3A	Elastic pin (L2000/7)	4	<a href="#">107TA6654</a>	23B	Fork, bracket load wheel (L2000/10)	2	<a href="#">106TA7393</a>
3B	Elastic pin (L2000/10)	4	<a href="#">107TA6655</a>	24	Elastic pin	6	<a href="#">107TA6592</a>
4A	Ear (L2000/7)	2	<a href="#">107TA6656</a>	25A	Bearing	4	<a href="#">106TA6778</a>
4B	Ear (L2000/10)	2	<a href="#">107TA6657</a>	25B	Bearing (L2000/11) (2256000-)	4	<a href="#">107TA6675</a>
5	Bracket, entry roller	2	<a href="#">107TA6658</a>	26A	Wheel assembly, load (nylon) (single wheel) (without bearings)	2	<a href="#">105TA4633</a>
6	Shaft/bolt, entry roller	2	<a href="#">107TA6659</a>	26B	Wheel assembly, load (polyurethane) (without bearings) (single)	2	<a href="#">107TA2626</a>
7	Spacer, entry roller	2	<a href="#">107TA6660</a>	26C	Wheel assembly, load (polyurethane) (nylon rim) (single) (without bearings)	2	<a href="#">107TA6676</a>
8	Wheel, entry roller	2	<a href="#">107TA2891</a>	26D	Wheel assembly, load (steel) (tandem)	2	<a href="#">107TA6666</a>
9	Hexagonal nut	2	<a href="#">107TA6661</a>	26E	Wheel assembly, load (steel) (single) (without bearings)	2	<a href="#">107TA2968</a>
10	Shaft pivot, torsion tube	1	<a href="#">107TA6662</a>	27	Shaft/bolt load wheel	2	<a href="#">107TA6677</a>
11	Bushing, torsion tube to thrust plate	2	<a href="#">105TA1924</a>	28A	Shaft, fork load wheel bracket to chassis (L2000/7)	2	<a href="#">107TA6678</a>
12	Bushing	2	<a href="#">105TA2177</a>	28B	Shaft/bolt load wheel (L2000/10)	2	<a href="#">107TA6679</a>
13	Grease nipple	2	<a href="#">107TA6594</a>	29	Bushing, fork load wheel bracket to chassis	4	<a href="#">105TA2175</a>
14	Torsion tube (frame width: 520 mm)	1	<a href="#">107TA6663</a>	30A	Shaft, push/pull rod fork end (length: 110 mm)	2	<a href="#">107TA6680</a>
15A	Wheel assembly, load (nylon) (single)	2	<a href="#">107TA6664</a>	30B	Shaft, push/pull rod fork end (length: 84,5 mm) (L2000/10)	2	<a href="#">107TA6681</a>
15B	Wheel assembly, load (polyurethane) (single)	2	<a href="#">107TA6665</a>	31A	Wheel assembly, load (nylon) (tandem)	4	<a href="#">107TA2936</a>
15C	Wheel assembly, load (steel) (single)	2	<a href="#">107TA6666</a>	31B	Wheel assembly, load (polyurethane) (nylon rim) (tandem)	4	<a href="#">107TA6682</a>
15D	Wheel assembly, load (nylon) (single) (L2000/11) (2256000-)	2	<a href="#">107TA2928</a>	31C	Wheel assembly, load (steel) (tandem)	4	<a href="#">107TA2957</a>
15E	Wheel assembly, load (polyurethane) (single) (L2000/11) (2256000-)	2	<a href="#">107TA6667</a>	31D	Wheel assembly, load (nylon) (tandem) (L2000/11) (2256000-)	4	<a href="#">107TA2935</a>
15F	Wheel assembly, load (Vulkollan®) (single) (L2000/11) (2256000-)	2	<a href="#">107TA6668</a>	31E	Wheel assembly, load (polyurethane) (nylon rim) (tandem) (L2000/11) (2256000-)	4	<a href="#">107TA6683</a>
16	Elastic pin	2	<a href="#">107TA6592</a>	31F	Wheel assembly, load (Vulkollan®) (tandem) (L2000/11) (2256000-)	4	<a href="#">107TA2788</a>
17	Shaft, torsion tube to thrust plate	2	<a href="#">107TA6669</a>	32	Fork, load wheel	2	<a href="#">107TA6684</a>
18	Washer (thickness: 4,2 mm)	2	<a href="#">107TA6670</a>	33	Wheel assembly, load (steel) (tandem) (without bearings)	4	<a href="#">107TA6687</a>
19	Bushing, push/pull rod non fork end	4	<a href="#">107TA6671</a>				
20	Grease nipple	8	<a href="#">107TA6594</a>				
21A	Push/pull rod, lift structure (fork length: 1000 mm)	2	<a href="#">107TA6672</a>				
21B	Push/pull rod, lift structure (fork length: 1070 mm)	2	<a href="#">107TA6673</a>				
21C	Push/pull rod, lift structure (fork length: 1150 mm)	2	<a href="#">105TA4604</a>				
21D	Push/pull rod, lift structure (fork length: 1220 mm)	2	<a href="#">107TA6674</a>				
22	Bushing, push/pull rod fork end	4	<a href="#">105TA2174</a>				



## MAIN FRAME BT LIFTER L2000 7/9/10/11 (-2399999)



TANDEM





## MAIN FRAME BT LIFTER L2000 7/9/10/11 (-2399999)

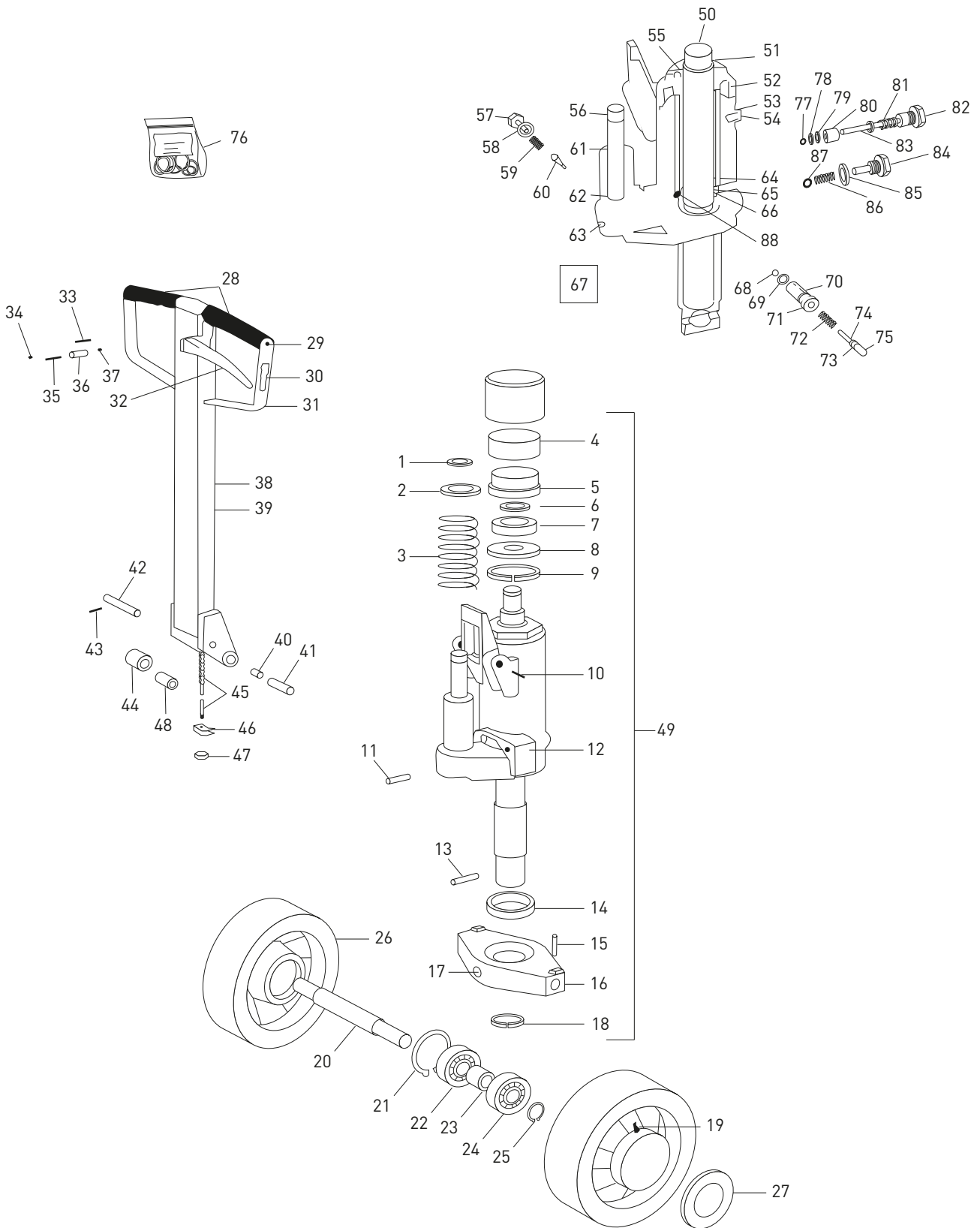
Nr	Description	Qty	REF
33A	Wheel assembly, load (nylon)	4	<a href="#">107TA6685</a>
33B	Wheel assembly, load (polyurethane) (nylon rim) (tandem) (without bearings)	4	<a href="#">107TA6686</a>
34	Shaft/bolt load wheel	4	<a href="#">106TA7044</a>
35	Wheel, exit roller	2	<a href="#">106TA7045</a>
36A	Ear (L2000/7)	2	<a href="#">107TA6656</a>
36B	Ear (L2000/10)	2	<a href="#">107TA6688</a>

Nr	Description	Qty	REF

LIFTER L2000 7/9/10/11 (-2399999)



## HYDRAULIC UNIT BT LIFTER L2000 QUICK 10/11 (-2399999)





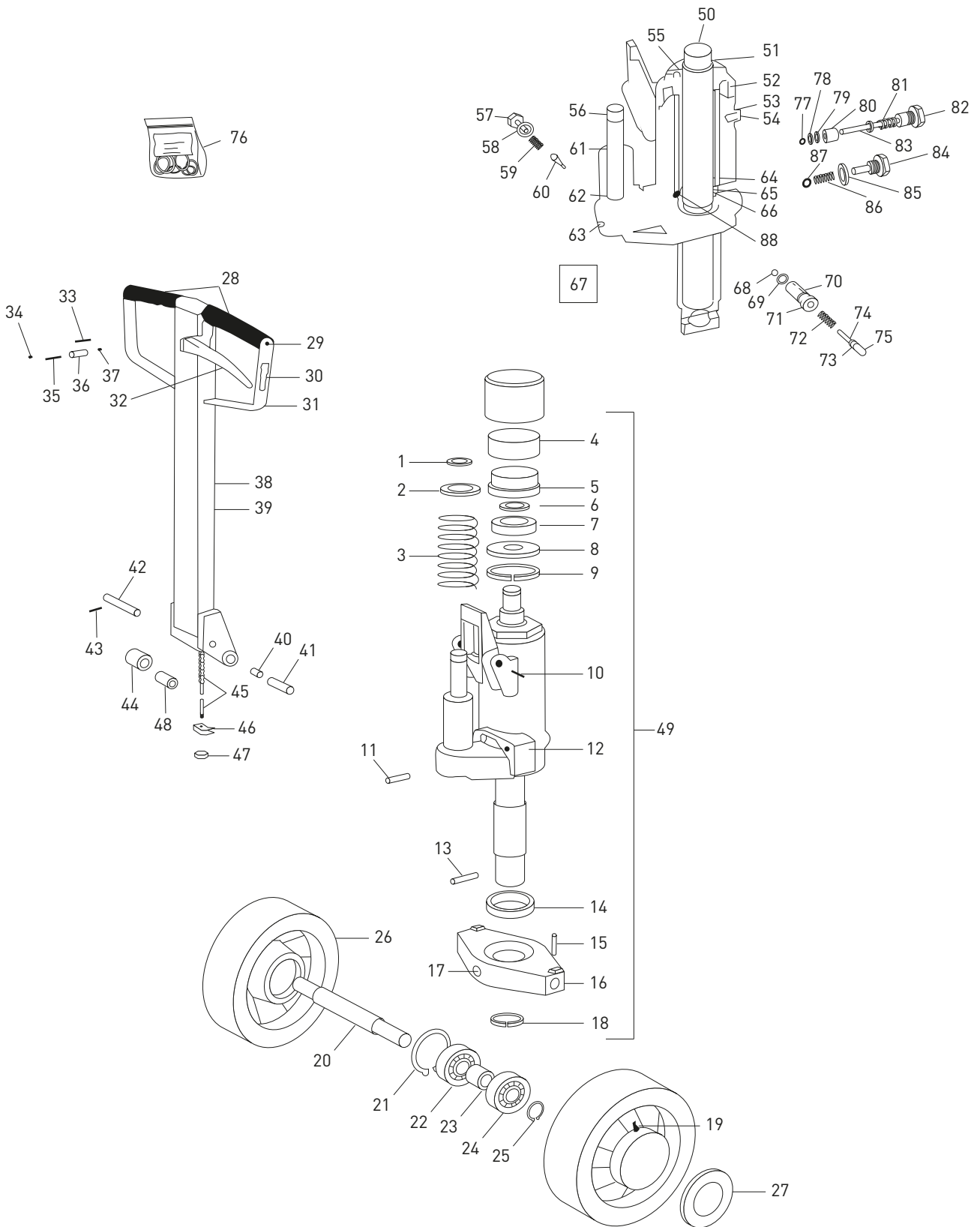
## HYDRAULIC UNIT BT LIFTER L2000 QUICK 10/11 (-2399999)

Nr	Description	Qty	REF
1	Circlip	1	<a href="#">107TA6580</a>
2	Washer (steel) (thickness: 6 mm)	1	<a href="#">107TA6581</a>
3	Spring, control handle return torsion	1	<a href="#">105TA4608</a>
4	Insert	1	<a href="#">107TA6582</a>
5	Housing, bearing	1	<a href="#">107TA6583</a>
6	Circlip	1	<a href="#">107TA6584</a>
7	Ball bearing	1	<a href="#">107TA6585</a>
8	Washer (nylon) (thickness: 3 mm)	1	<a href="#">107TA6586</a>
9	Circlip	1	<a href="#">107TA6587</a>
10	Elastic pin	2	<a href="#">107TA6588</a>
11	Cotter pin	1	<a href="#">107TA6589</a>
12	Lever lift control	1	<a href="#">107TA6590</a>
13	Cotter pin	1	<a href="#">107TA6591</a>
14	Spacer, pivot bearing hydraulic pump unit to chassis	1	<a href="#">106TA6779</a>
15	Elastic pin	2	<a href="#">107TA6592</a>
16	Thrust plate, hydraulic pump unit mounting	1	<a href="#">106TA6781</a>
17	Grease nipple	1	<a href="#">107TA6594</a>
18	Circlip	1	<a href="#">107TA6595</a>
19	Grease nipple	2	<a href="#">107TA6594</a>
20	Shaft, steer wheel	1	<a href="#">107TA6596</a>
21	Circlip	2	<a href="#">107TA6597</a>
22	Ball bearing	2	<a href="#">107TA6598</a>
23	Bushing (without collar)	2	<a href="#">105TA1681</a>
24	Ball bearing	2	<a href="#">107TA6599</a>
25	Circlip	2	<a href="#">107TA6600</a>
26A	Wheel assembly, steer (rubber) (nylon rim) (without bearings)	2	<a href="#">107TA3008</a>
26B	Wheel assembly, steer (rubber) (L2000/11) (2256000-)	2	<a href="#">107TA6601</a>
26C	Wheel assembly, load (polyurethane) (nylon rim) (without bearings)	2	<a href="#">107TA6603</a>
26D	Wheel assembly, load (polyurethane) (without bearings)	2	<a href="#">107TA3009</a>
26E	Wheel assembly, steer (polyurethane) (L2000/11) (2256000-)	2	<a href="#">107TA6606</a>
26F	Wheel assembly, load (nylon) (without bearings)	2	<a href="#">107TA6604</a>

Nr	Description	Qty	REF
26G	Wheel assembly, steer (nylon) (L2000/11) (2256000-)	2	<a href="#">107TA6605</a>
27	Cap, front wheel hub	2	<a href="#">122TA7004</a>
28	Handle	2	<a href="#">107TA6607</a>
29	Screw	2	<a href="#">107TA6609</a>
30	Adhesive	1	<a href="#">107TA6610</a>
31	Clamp	2	<a href="#">107TA6611</a>
32	Lever lowering, tiller	1	<a href="#">106TA6780</a>
33	Elastic pin	1	<a href="#">107TA6612</a>
34	Steel ball	2	<a href="#">107TA6613</a>
35	Spring	1	<a href="#">107TA6614</a>
36	Bushing	1	<a href="#">107TA6615</a>
37	Steel ball	2	<a href="#">107TA6613</a>
38	Handle assembly	1	<a href="#">106TA6777</a>
39	Bracket, tiller arm	1	<a href="#">107TA6616</a>
40	Bushing, handle pivot	2	<a href="#">107TA6617</a>
41	Shaft, handle pivot	1	<a href="#">107TA6618</a>
42	Axle	1	<a href="#">107TA6619</a>
43	Elastic pin	1	<a href="#">107TA6620</a>
44	Roller, control handle pump	1	<a href="#">107TA6621</a>
45	Rod complete, lowering	1	<a href="#">107TA6622</a>
46	Spring	1	<a href="#">107TA6623</a>
47	Hexagonal nut	1	<a href="#">107TA6624</a>
48	Bushing, control handle pump roller	1	<a href="#">107TA6625</a>
49	Pump, hydraulic	1	<a href="#">124TA1642</a>
50	Piston, lift cylinder pallet truck	1	<a href="#">124TA1644</a>
51	Body, hydraulic pump unit piston	1	<a href="#">124TA1646</a>
52	O-ring	1	<a href="#">107TA6629</a>
53	Washer (synthetic) (thickness: 4 mm)	1	<a href="#">107TA6630</a>
54	Screw	1	<a href="#">107TA6631</a>
55	Oil seal	1	<a href="#">107TA6632</a>
56	Piston, hydraulic pump unit	1	<a href="#">107TA6634</a>
57	Screw	1	<a href="#">107TA6635</a>
58	Washer (copper) (thickness: 2,5 mm)	1	<a href="#">105TA1188</a>
59	Spring	1	<a href="#">107TA6636</a>
60	Lever lift control	1	<a href="#">107TA6637</a>
61	Oil seal	1	<a href="#">107TA6638</a>
62	Lip seal	1	<a href="#">107TA6639</a>
63	Steel ball	1	<a href="#">107TA6641</a>
64	O-ring	1	<a href="#">124TA1648</a>



## HYDRAULIC UNIT BT LIFTER L2000 QUICK 10/11 (-2399999)





## HYDRAULIC UNIT BT LIFTER L2000 QUICK 10/11 (-2399999)

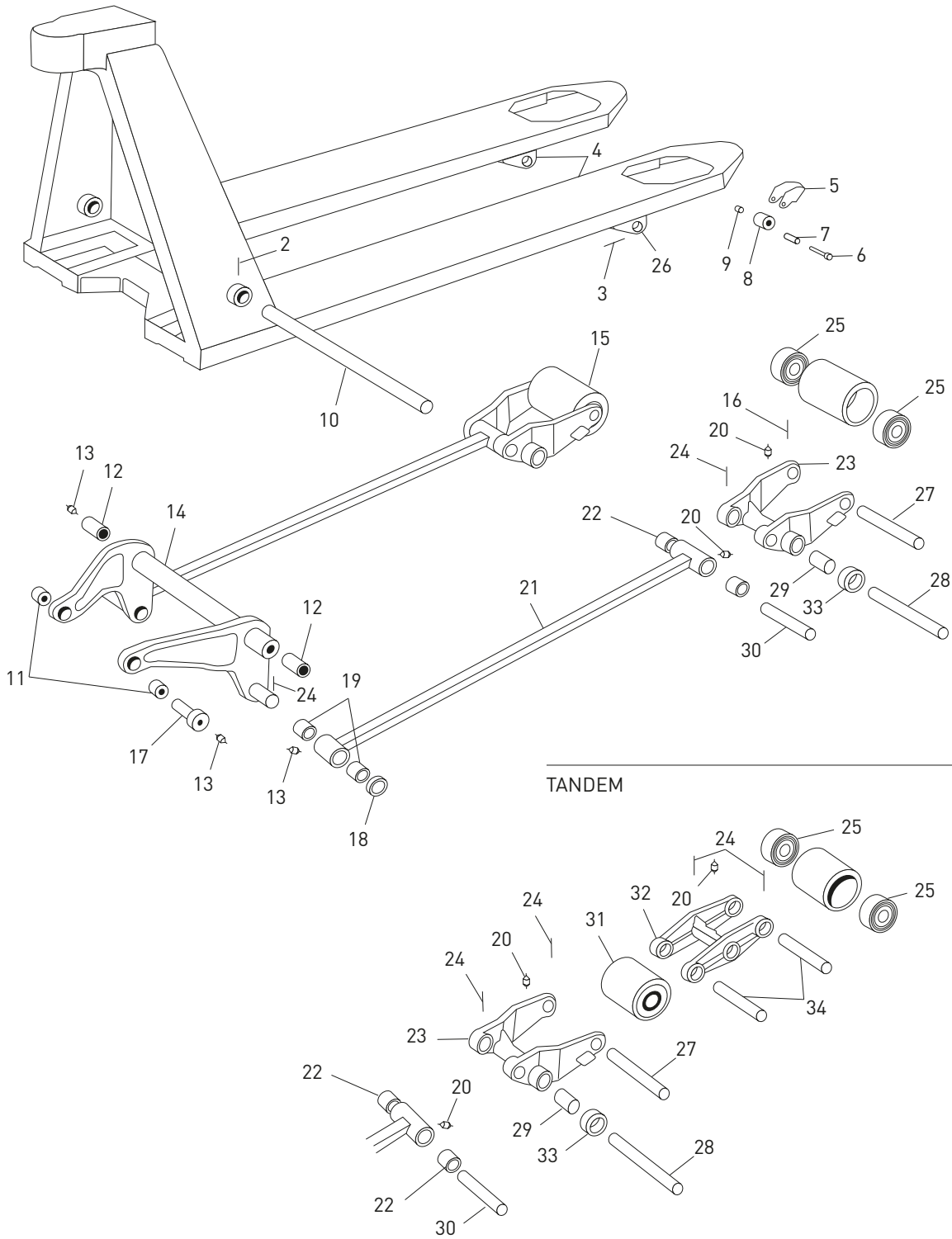
Nr	Description	Qty	REF	Nr	Description	Qty	REF
65	Washer (thickness: 1 mm)	1	<a href="#">124TA1650</a>				
66	Turning (brass)	1	<a href="#">124TA1652</a>				
67A	Kit seal, hydraulic pump unit piston (pump cylinder)	1	<a href="#">107TA6645</a>				
67B	Kit seal, lift cylinder (lift cylinder)	1	<a href="#">124TA1654</a>				
67C	Seal kit (valve unit)	1	<a href="#">124TA1656</a>				
68	Steel ball	1	<a href="#">107TA6641</a>				
69	Washer (copper) (thickness: 1,4 mm)	1	<a href="#">105TA1358</a>				
70	O-ring	1	<a href="#">107TA6649</a>				
71	Valve housing	1	<a href="#">107TA6650</a>				
72	Spring	1	<a href="#">107TA6651</a>				
73	Lip seal	1	<a href="#">107TA6652</a>				
74	Guide, spring	1	<a href="#">107TA6653</a>				
75	Plunger, valve	1	<a href="#">106TA7043</a>				
76	Kit seal, hydraulic unit	1	<a href="#">107TA6990</a>				
77	Ball bearing	1	<a href="#">124TA1658</a>				
78	Washer (thickness: 1,5 mm)	1	<a href="#">124TA1660</a>				
79	O-ring	1	<a href="#">124TA1662</a>				
80	Bushing	1	<a href="#">124TA1664</a>				
81	Spring	1	<a href="#">124TA1666</a>				
82	Screw	1	<a href="#">124TA1668</a>				
83	Plunger, valve	1	<a href="#">124TA1670</a>				
84	Screw	1	<a href="#">124TA1672</a>				
85	Washer (copper) (thickness: 2,5 mm)	1	<a href="#">105TA1188</a>				
86	Spring	1	<a href="#">107TA6636</a>				
87	Steel ball	1	<a href="#">107TA6641</a>				
88	Ball bearing	1	<a href="#">124TA1658</a>				

LIFTER L2000 QUICK 10/11 (-2399999)





## MAIN FRAME BT LIFTER L2000 QUICK 10/11 (-2399999)





## MAIN FRAME BT LIFTER L2000 QUICK 10/11 (-2399999)

Nr	Description	Qty	REF
2	Cap, control handle pivot return spring	1	<a href="#">107TA6592</a>
3	Elastic pin	4	<a href="#">107TA6655</a>
4	Ear	2	<a href="#">107TA6657</a>
5	Clamp	2	<a href="#">107TA6658</a>
6	Shaft/bolt, entry roller	2	<a href="#">107TA6659</a>
7	Spacer, entry roller	2	<a href="#">107TA6660</a>
8	Wheel, entry roller	2	<a href="#">107TA2891</a>
9	Hexagonal nut	2	<a href="#">107TA6661</a>
10	Shaft pivot, torsion tube	1	<a href="#">107TA6662</a>
11	Shaft, torsion tube to thrust plate	2	<a href="#">105TA1924</a>
12	Bushing, torsion tube pivot	2	<a href="#">105TA2177</a>
13	Grease nipple	2	<a href="#">107TA6594</a>
14	Torsion tube	1	<a href="#">107TA6663</a>
15A	Wheel assembly, load (nylon) (single)	2	<a href="#">107TA6664</a>
15B	Wheel assembly, load (polyurethane) (single)	2	<a href="#">107TA6665</a>
15C	Wheel assembly, load (steel) (single)	2	<a href="#">107TA6666</a>
15D	Wheel assembly, load (nylon) (single) (L2000/11) (2256000-)	2	<a href="#">107TA2928</a>
15E	Wheel assembly, load (polyurethane) (single) (L2000/11) (2256000-)	2	<a href="#">107TA6667</a>
15F	Wheel assembly, load (Vulkollan®) (single) (L2000/11) (2256000-)	2	<a href="#">107TA6668</a>
16	Elastic pin	2	<a href="#">107TA6592</a>
17	Arm bolt	2	<a href="#">107TA6669</a>
18	Washer (thickness: 4,2 mm)	2	<a href="#">107TA6670</a>
19	Bushing, push/pull rod non fork end	4	<a href="#">107TA6671</a>
20	Grease nipple	8	<a href="#">107TA6594</a>
21A	Push/pull rod assembly, lift structure (fork length: 1000 mm)	2	<a href="#">107TA6672</a>
21B	Push/pull rod assembly, lift structure (fork length: 1070 mm)	2	<a href="#">107TA6673</a>
21C	Push/pull rod assembly, lift structure (fork length: 1150 mm)	2	<a href="#">105TA4604</a>
21D	Push/pull rod assembly, lift structure (fork length: 1220 mm)	2	<a href="#">107TA6674</a>
22	Bushing, push/pull rod fork end	4	<a href="#">105TA2174</a>

Nr	Description	Qty	REF
23	Fork, bracket load wheel	2	<a href="#">106TA7393</a>
24	Elastic pin	6	<a href="#">107TA6592</a>
25A	Bearing	4	<a href="#">106TA6778</a>
25B	Bearing	4	<a href="#">107TA6675</a>
26A	Wheel assembly, load (nylon) (single wheel) (without bearings)	2	<a href="#">105TA4633</a>
26B	Wheel assembly, load (polyurethane) (nylon rim)	2	<a href="#">107TA6676</a>
26C	Wheel assembly, load (steel) (single) (without bearings)	2	<a href="#">107TA2968</a>
27	Shaft, fork load wheel bracket to chassis	2	<a href="#">107TA6677</a>
28	Wheel, exit roller	2	<a href="#">107TA6679</a>
29	Wheel, exit roller	4	<a href="#">105TA2175</a>
30	Shaft, push/pull rod fork end (diameter: 18 mm) (length: 84,5 mm)	2	<a href="#">107TA6681</a>
31A	Wheel assembly, load (nylon) (tandem)	4	<a href="#">107TA2936</a>
31B	Wheel assembly, load (polyurethane) (nylon rim)	4	<a href="#">107TA6682</a>
31C	Wheel assembly, load (steel) (tandem)	4	<a href="#">107TA2957</a>
31D	Wheel assembly, load (nylon) (tandem) (L2000/11) (2256000-)	4	<a href="#">107TA2935</a>
31E	Wheel assembly, load (polyurethane) (nylon rim) (tandem) (L2000/11) (2256000-)	4	<a href="#">107TA6683</a>
31F	Wheel assembly, load (Vulkollan®) (tandem) (L2000/11) (2256000-)	4	<a href="#">107TA2788</a>
32	Fork, bracket load wheel	2	<a href="#">107TA6684</a>
33A	Wheel assembly, load (nylon)	4	<a href="#">107TA6685</a>
33B	Wheel assembly, load (polyurethane) (nylon rim) (tandem) (without bearings)	4	<a href="#">107TA6686</a>
33C	Wheel assembly, load (steel) (tandem) (without bearings)	4	<a href="#">107TA6687</a>
34	Shaft/bolt load wheel	4	<a href="#">106TA7044</a>
35	Wheel, exit roller	2	<a href="#">106TA7045</a>
36	Ear	2	<a href="#">107TA6688</a>

LIFTER L2000 QUICK 10/11 (-2399999)