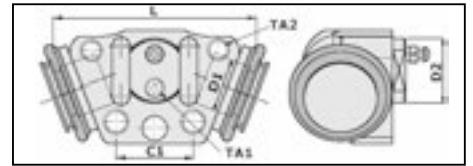


WHEEL BRAKE CYLINDERS

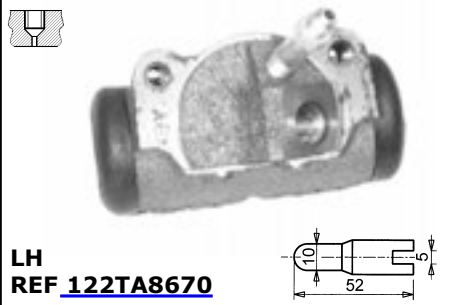
For all our latest catalogue updates and company info: www.tvh.com

WHEEL BRAKE CYLINDERS

used for: **BT**



| piston diameter (inch) D1 | number of mounting holes AT-MG | dimension (mm) L | dimension (mm) D2 | thread inlet TA1 | dimension (mm) C1 | thread mounting holes TA2 | type of oil OLIE | reference |
|---------------------------|--------------------------------|------------------|-------------------|------------------|-------------------|---------------------------|------------------|---------------------------|
| 1/2 | 2 | 45 | 22 | M10 X 1 | 21 | M6 X 1 | brake fluid | 104TA4460 |
| 3/4 | 0 | 71 | 28 | M10 X 1 | 0 | | brake fluid | 122TA8668 |
| 3/4 | 1 | 44 | 0 | M10 X 1 | 0 | M10 X 1 | brake fluid | 124TA7414 |
| 7/8 | 2 | 60 | 22 | M10 X 1 | 30 | M6 X 1 | brake fluid | 106TA4227 |
| 7/8 | 2 | 60 | 22 | M10 X 1 | 30 | M6 X 1 | brake fluid | 104TA4524 |
| 7/8 | 2 | 72 | 30 | M10 X 1 | 38 | M8 X 1,25 | brake fluid | 104TA4541 |
| 7/8 | 2 | 72 | 30 | M10 X 1 | 38 | | brake fluid | 115TA1915 |
| 7/8 | 2 | 72 | 38 | M10 X 1,25 | 45 | M6 X 1 | brake fluid | 122TA8670 |
| 15/16 | 4 | 70 | 19 | 3/8 UNF X 24 | 35 | 5/16 UNC X 18 | brake fluid | 106TA4159 |
| 1 | 2 | 78 | 34 | M10 X 1 | 44 | M8 X 1,25 | brake fluid | 122TA8671 |
| 1 1/8 | 2 | 74 | 36 | M10 X 1,25 | 36 | M6 X 1 | brake fluid | 115TA1912 |
| 1 1/8 | 2 | 76 | 38 | 7/16 UNF X 20 | 41 | 5/16 UNC X 18 | brake fluid | 122TA8673 |

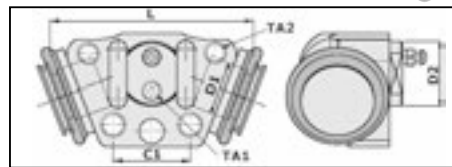


WHEEL BRAKE CYLINDERS



For all our latest catalogue updates and company info: www.tvh.com

used for: **BT**



WHEEL BRAKE CYLINDERS

| piston diameter (inch) D1 | number of mounting holes AT-MG | dimension (mm) L | dimension (mm) D2 | thread inlet TA1 | dimension (mm) C1 | thread mounting holes TA2 | type of oil OLIE | reference |
|---------------------------|--------------------------------|------------------|-------------------|------------------|-------------------|---------------------------|------------------|---------------------------|
| 1 1/8 | 2 | 76 | 38 | 7/16 UNF X 20 | 42 | 5/16 UNC X 18 | brake fluid | 122TA8672 |
| 1 1/4 | 2 | 78 | 34 | M10 X 1 | 44 | M8 X 1,25 | brake fluid | 122TA8674 |
| 1 1/4 | 2 | 86 | 41 | M12 X 1,25 | 48 | M8 X 1,25 | brake fluid | 115TA1911 |
| 1 1/4 | 4 | 106 | 36 | 3/8 UNF X 24 | 44 | 7/16 UNF X 20 | brake fluid | 106TA3991 |
| 1 3/8 | 3 | 83 | 38 | 7/16 UNF X 20 | 48 | 5/16 UNC X 18 | brake fluid | 106TA3872 |
| 1 3/4 | 2 | 100 | 44 | 7/16 UNF X 20 | 64 | 5/16 UNC X 18 | brake fluid | 122TA8676 |
| | | | | | | | | |
| | | | | | | | | |
| | | | | | | | | |
| | | | | | | | | |
| | | | | | | | | |
| | | | | | | | | |

