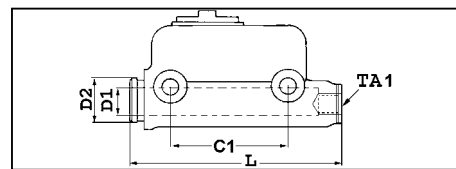


MASTER & CLUTCH CYLINDERS

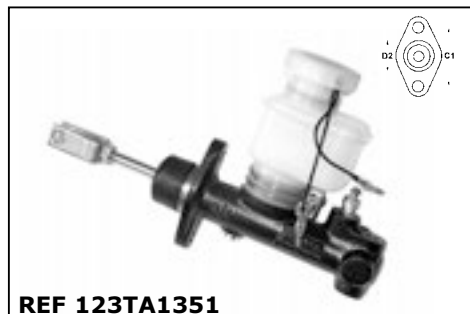
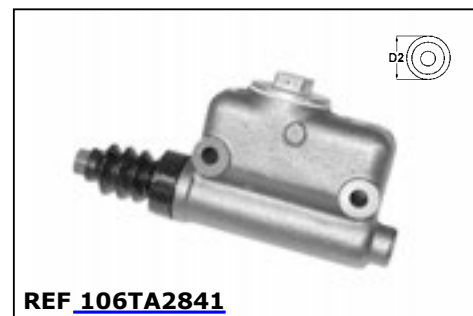
For all our latest catalogue updates and company info: www.tvh.com

MASTER & CLUTCH CYLINDERS

used for: **ALLIS CHALMERS-KALMAR AC**



type of flange TY-FL	piston diameter (inch) D1	dimension (mm) L	dimension (mm) C1	dimension (mm) D2	quantity of outlets for oil AT-PR	thread outlet TA1	type of oil OLIE	reference
no flange	3/4	138	65	44	1		brake fluid	123TA1343
	13/16	95	34	30	1		brake fluid	123TA1344
	7/8	88	34	29	1		brake fluid	123TA1345
	7/8	160	87,5	38	1		brake fluid	104TA4338
	1	129	79	38	1		brake fluid	123TA1347
	1	142	87,5	38	1		brake fluid	106TA2841
	1	161	87,5	38	1		brake fluid	123TA1348
oval	5/8	121	72	30	1		brake fluid	123TA1349
	3/4	125	57	35	1		brake fluid	106TA3146
	3/4	146	57	35	1		brake fluid	123TA1350
	3/4	157	60	35	1		brake fluid	123TA1351
	3/4	158	60	35	2		brake fluid	123TA1352

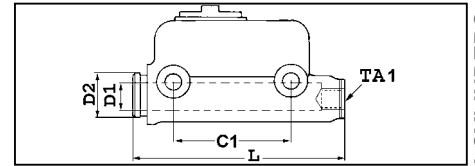


MASTER & CLUTCH CYLINDERS

For all our latest catalogue updates and company info: www.tvh.com



used for: **ALLIS CHALMERS-KALMAR AC**



MASTER & CLUTCH CYLINDERS

type of flange TY-FL	piston diameter (inch) D1	dimension (mm) L	dimension (mm) C1	dimension (mm) D2	quantity of outlets for oil AT-PR	thread outlet TA1	type of oil OLIE	reference
oval	3/4	158	60	35	2		brake fluid	123TA1353
	7/8	135	57	35	1	7/16 UNF	brake fluid	123TA1354
	7/8	136	57	35	1		brake fluid	123TA1355
	1	150	60	38	1		brake fluid	123TA1357
	1 1/4	151	80	40,5	1		brake fluid	123TA1359
triangular	1	161	60	38	1		brake fluid	106TA2874
	1 1/4	161	72	63	2		brake fluid	123TA1360

