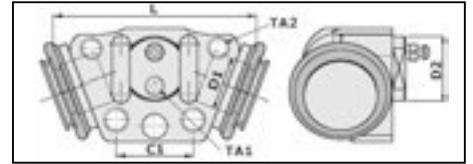


# WHEEL BRAKE CYLINDERS

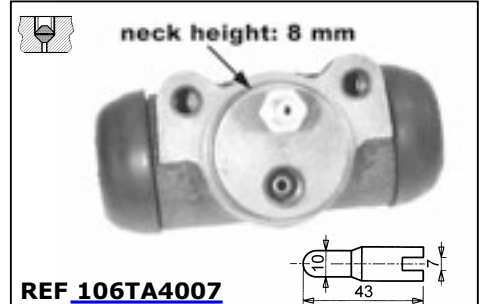
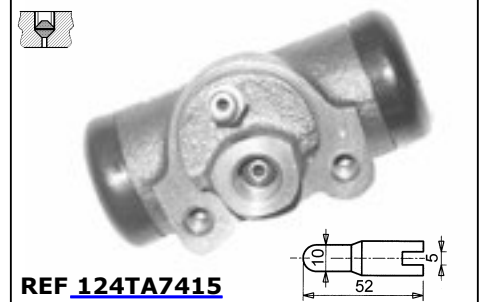
For all our latest catalogue updates and company info: [www.tvh.com](http://www.tvh.com)

WHEEL BRAKE CYLINDERS

used for: **ALLIS CHALMERS-KALMAR AC**



piston diameter (inch) D1	number of mounting holes AT-MG	dimension (mm) L	dimension (mm) D2	thread inlet TA1	dimension (mm) C1	thread mounting holes TA2	type of oil OLIE	reference
3/4	2	71	22	M10 X 1	90	M12 X 1,25	brake fluid	<a href="#">122TA8636</a>
3/4	2	72	30	M10 X 1	35	M6 X 1	brake fluid	<a href="#">122TA8637</a>
7/8	2	72	30	M10 X 1	35	M6 X 1	brake fluid	<a href="#">124TA7415</a>
1	2	70	19	3/8 UNF X 24	32	1/4 UNC X 20	brake fluid	<a href="#">122TA8639</a>
1 1/16	2	70	38	3/8 UNF X 24	43	1/4 UNC X 20	brake fluid	<a href="#">106TA4063</a>
1 1/16	2	70	38	3/8 UNF X 24	43	1/4 UNC X 20	brake fluid	<a href="#">122TA8641</a>
1 1/8	2	76	38	7/16 UNF X 20	42	5/16 UNC X 18	brake fluid	<a href="#">122TA8642</a>
1 1/8	2	76	38	7/16 UNF X 20	42	5/16 UNC X 18	brake fluid	<a href="#">122TA8643</a>
1 1/8	2	78	34	M10 X 1	44	M8 X 1,25	brake fluid	<a href="#">106TA4048</a>
1 1/8	2	78	34	M10 X 1	44	M8 X 1,25	brake fluid	<a href="#">122TA8645</a>
1 1/8	2	78	34	M10 X 1	44	M8 X 1,25	mineral oil	<a href="#">122TA8644</a>
1 1/8	2	78	34	M10 X 1	44	M8 X 1,25	mineral oil	<a href="#">106TA4007</a>



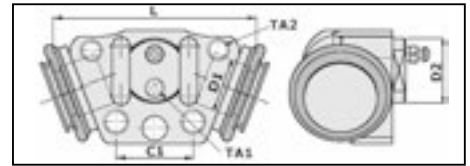
# WHEEL BRAKE CYLINDERS

For all our latest catalogue updates and company info: [www.tvh.com](http://www.tvh.com)

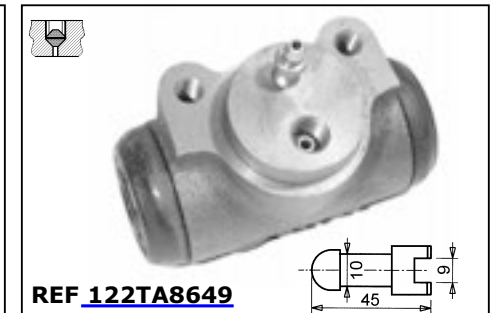
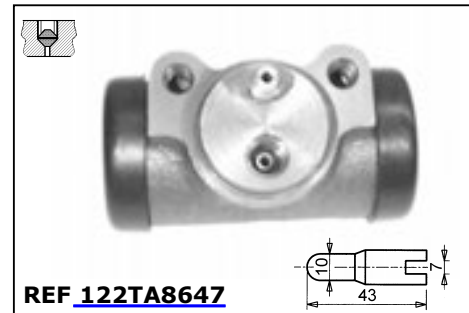
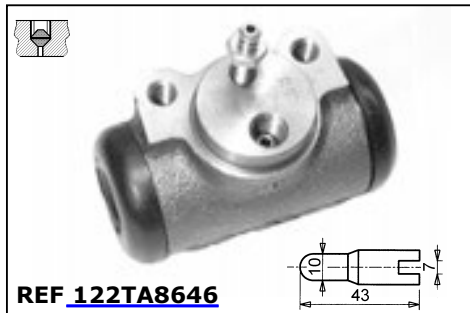


WHEEL BRAKE CYLINDERS

used for: **ALLIS CHALMERS-KALMAR AC**



piston diameter (inch) D1	number of mounting holes AT-MG	dimension (mm) L	dimension (mm) D2	thread inlet TA1	dimension (mm) C1	thread mounting holes TA2	type of oil OLIE	reference
1 1/4	2	78	34	M10 X 1	44	M8 X 1,25	brake fluid	<a href="#">122TA8646</a>
1 1/4	2	78	34	M10 X 1	44	M8 X 1,25	mineral oil	<a href="#">122TA8647</a>
1 1/4	2	84	38	M10 X 1	48	M8 X 1,25	brake fluid	<a href="#">122TA8649</a>
1 1/4	2	84	38	M12 X 1	48	M8 X 1,25	mineral oil	<a href="#">122TA8648</a>
1 1/4	2	84	38	M10 X 1	48	M8 X 1,25	mineral oil	<a href="#">122TA8650</a>
1 1/4	4	106	36	3/8 UNF X 24	44	7/16 UNF X 20	brake fluid	<a href="#">106TA3964</a>
1 1/4	4	106	36	3/8 UNF X 24	44	7/16 UNF X 20	brake fluid	<a href="#">106TA3990</a>
1 3/8	2	95	45	1/2 UNF X 20	54	3/8 UNC X 16	brake fluid	<a href="#">106TA3846</a>
1 3/8	3	83	38	7/16 UNF X 20	48	5/16 UNC X 18	brake fluid	<a href="#">105TA4149</a>
1 3/8	3	83	38	7/16 UNF X 20	48	5/16 UNC X 18	brake fluid	<a href="#">105TA4148</a>
1 1/2	2	96	44	1/2 UNF X 20	54	3/8 UNC X 16	brake fluid	<a href="#">106TA3799</a>
1 5/8	2	86	44	7/16 UNF X 20	63	5/16 UNC X 18	brake fluid	<a href="#">122TA8651</a>

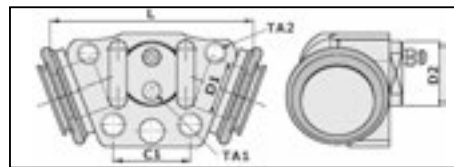


# WHEEL BRAKE CYLINDERS

For all our latest catalogue updates and company info: [www.tvh.com](http://www.tvh.com)

WHEEL BRAKE CYLINDERS

used for: **ALLIS CHALMERS-KALMAR AC**



piston diameter (inch) D1	number of mounting holes AT-MG	dimension (mm) L	dimension (mm) D2	thread inlet TA1	dimension (mm) C1	thread mounting holes TA2	type of oil OLIE	reference
1 5/8	4	100	42	M12 X 1,5	54	M10 X 1,25	brake fluid	<a href="#">122TA8652</a>
1 5/8	4	100	42	M12 X 1	54	M10 X 1,25	brake fluid	<a href="#">122TA8653</a>
1 3/4	0	86	44	7/16 UNF X 20	0		brake fluid	<a href="#">122TA8654</a>
1 3/4	2	100	44	7/16 UNF X 20	64	5/16 UNC X 18	brake fluid	<a href="#">122TA8655</a>
1 3/4	2	111	38	7/16 UNF X 20	41	5/16 UNC X 18	brake fluid	<a href="#">106TA3770</a>
1 3/4	2	121	44	1/2 UNF X 20	54	3/8 UNC X 16	brake fluid	<a href="#">122TA8656</a>

